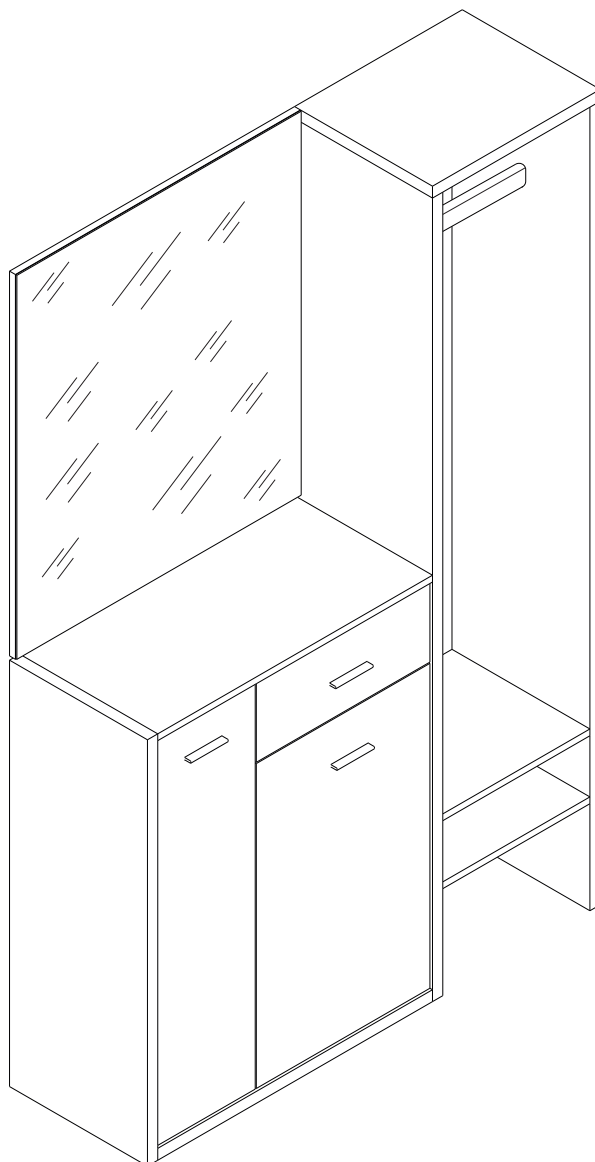
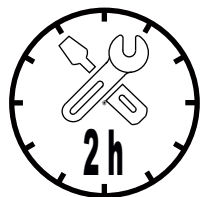
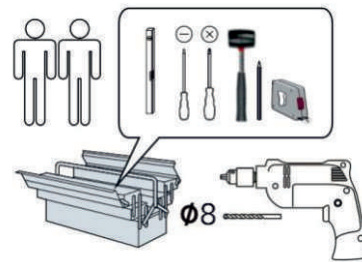




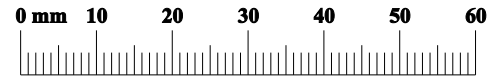
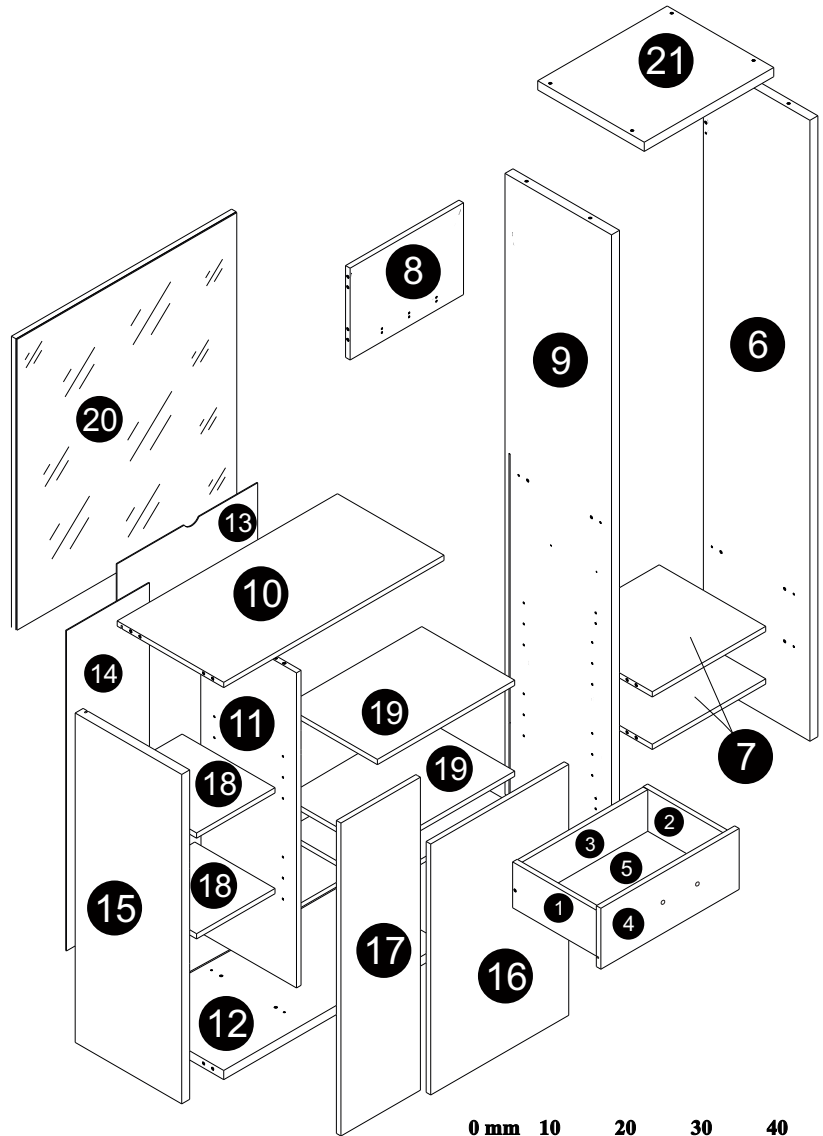
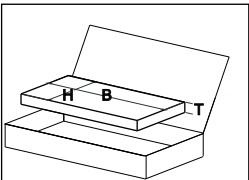
wyprodukowano dla / made for / produziert für
BEGA GRUPPE
producent: **MEBLE OKMED** POLAND



1/3				
	B	H	T	
3	428	127	16	x1
4	472	186	16	x1
8	399	280	16	x1
11	959	337	16	x1
13	974	480	3	x1
14	974	279	3	x1
16	765	472	16	x1
17	954	266	16	x1
18	327	262	16	x2
20	906	775	16	x1

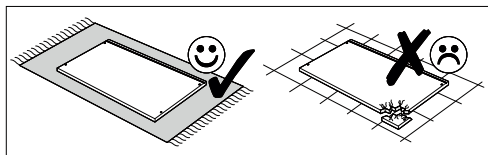
2/3				
	B	H	T	
9	1892	375	28	x1
12	747	375	28	x1
15	1004	375	28	x1

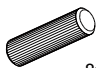
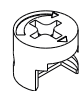

3/3				
	B	H	T	
1	300	140	16	x1
2	300	140	16	x1
5	444	305	3	x1
6	1892	375	28	x1
10	747	375	16	x1
21	456	375	28	x1
19	468	327	16	x2
7	399	375	16	x2

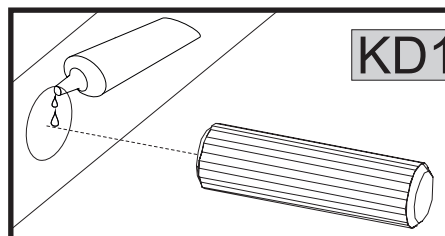
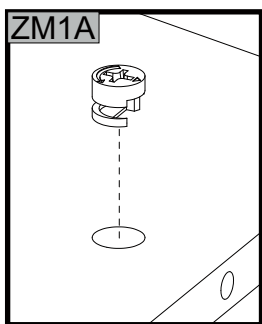
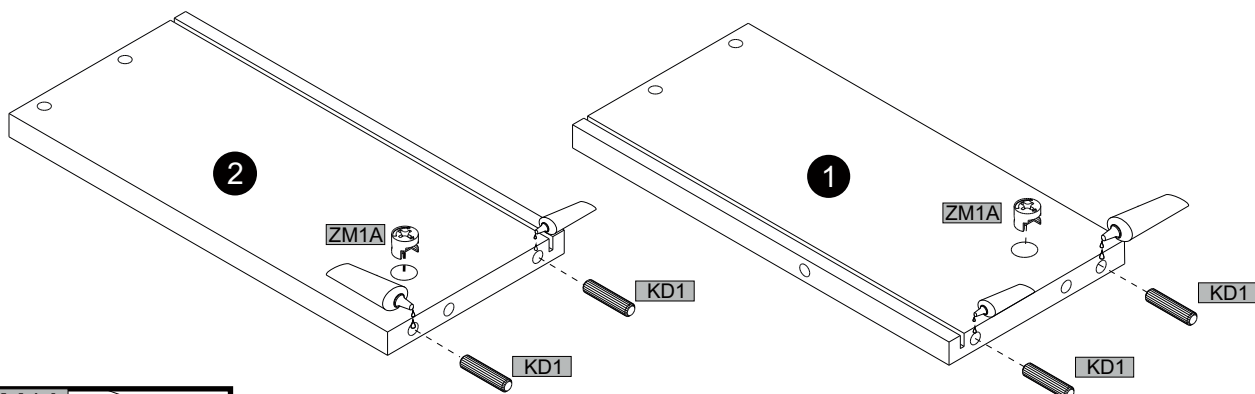


KK1 1	K1 2	K2 4	KD1 34	ZM1B 26	ZM1A 26	ZM1 16
L PQ3 1	P PQ4 1	W11 10	ZP 4	ZWP1 4	W4 8	KSK1 1
S1 13	W1 11	PL1 7	PP 16	KRW1 2	KS1 2	KRL1 3
SG2 8	OS1 4	W16 6	U99 3	WU 6	DR13 1	UD1 2
WV6 3	W7 6	ZMR1 3				

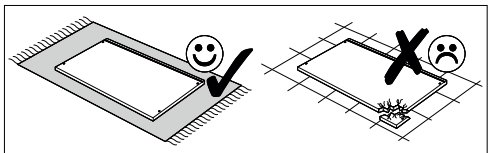
01

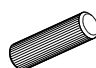



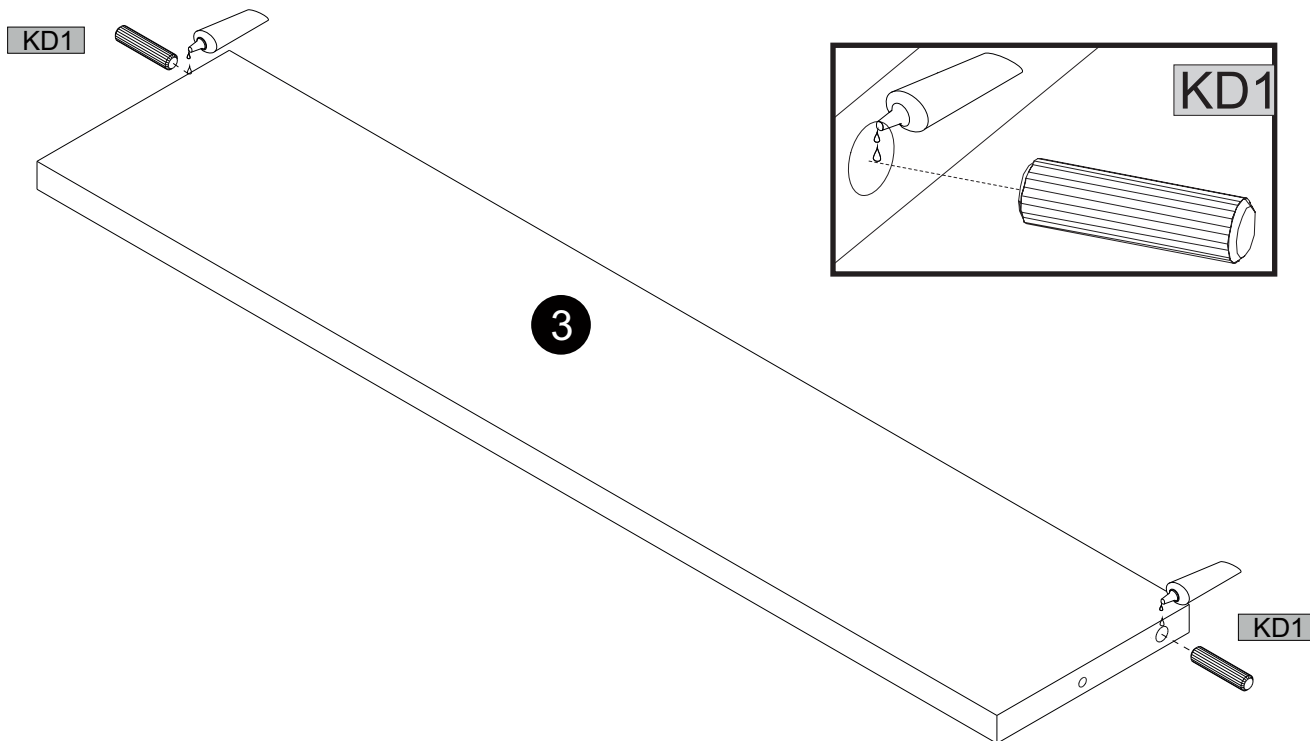
	8x35				
KD1	4	ZM1A	2	KSK1	1



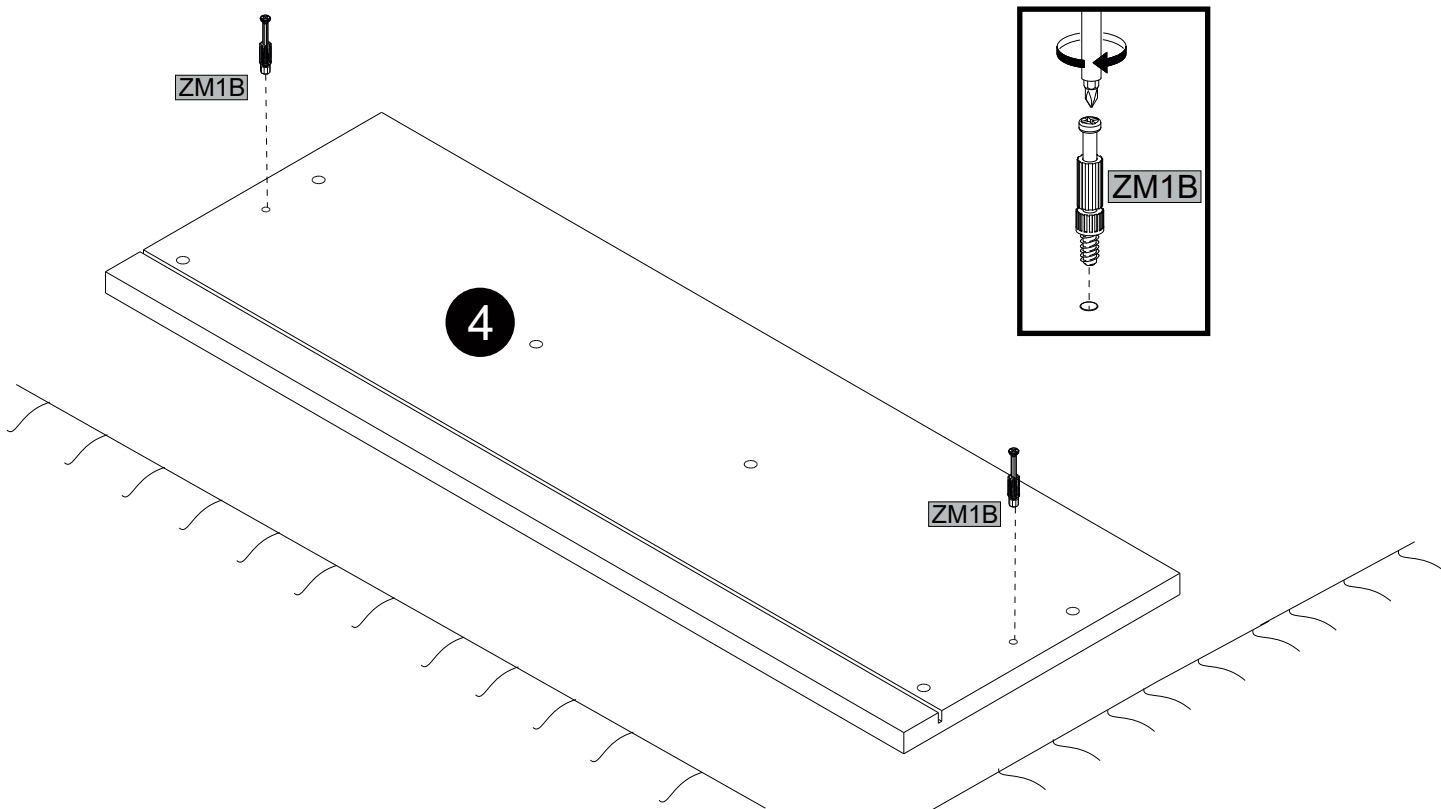
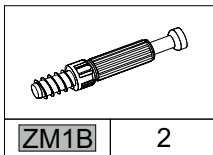
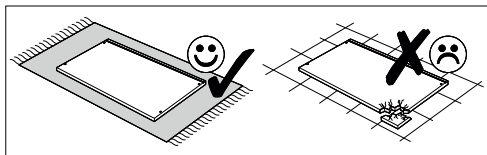
02



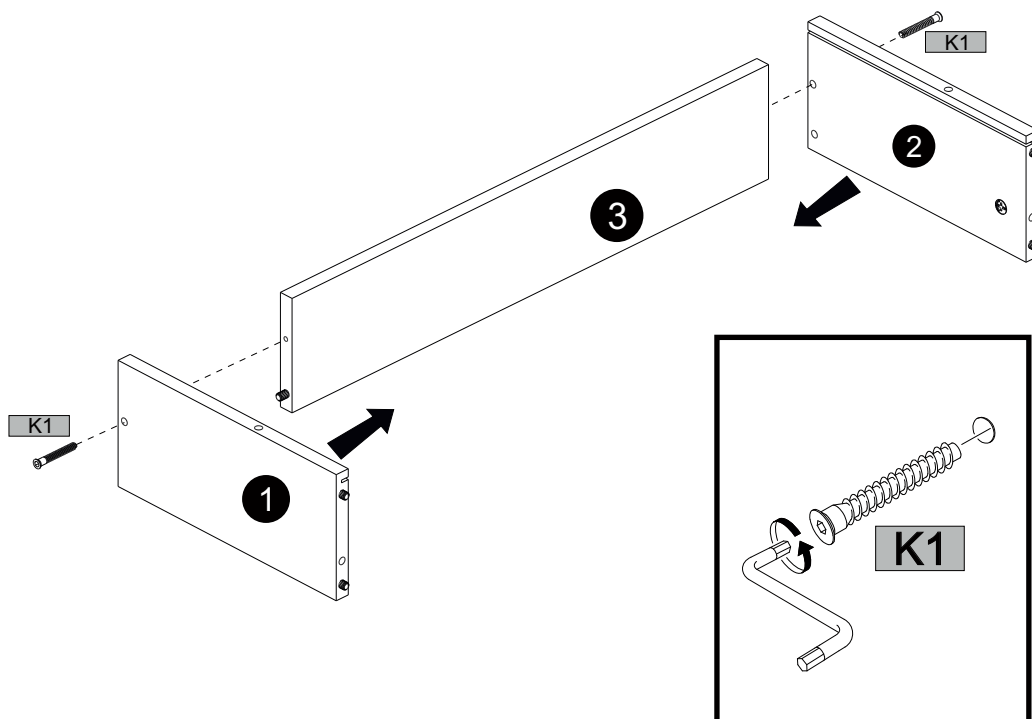
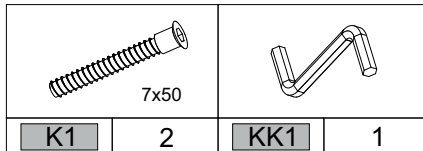
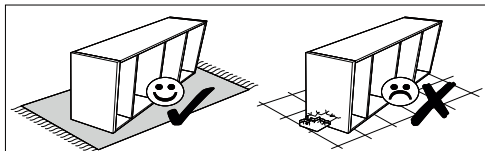
	8x35		
KD1	2	KSK1	1



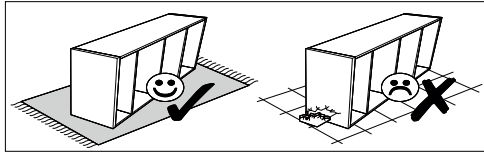
03



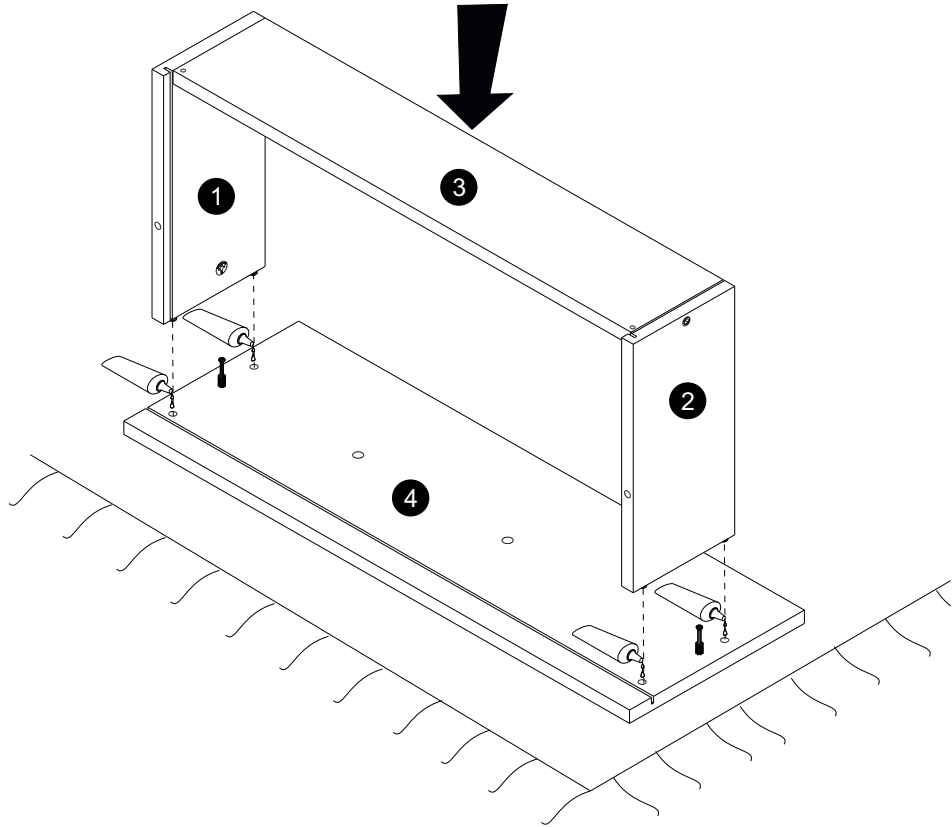
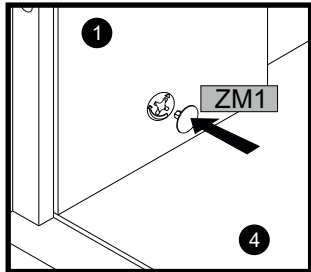
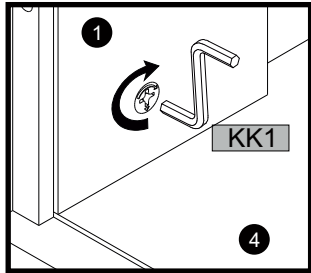
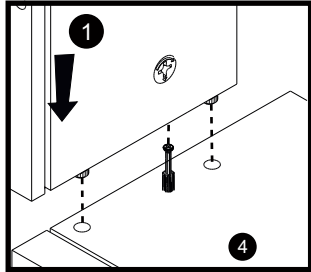
04



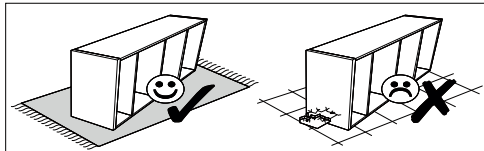
05



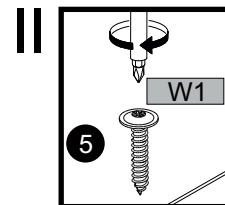
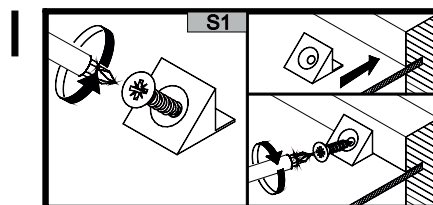
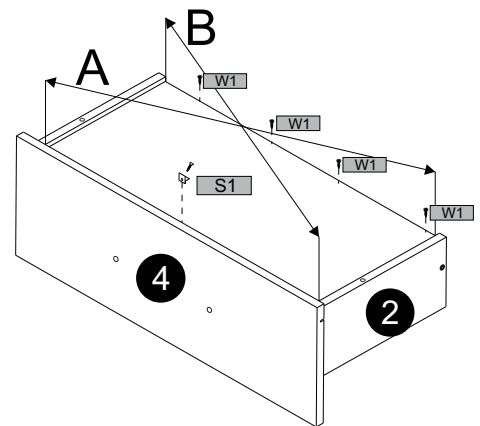
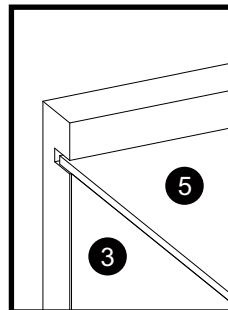
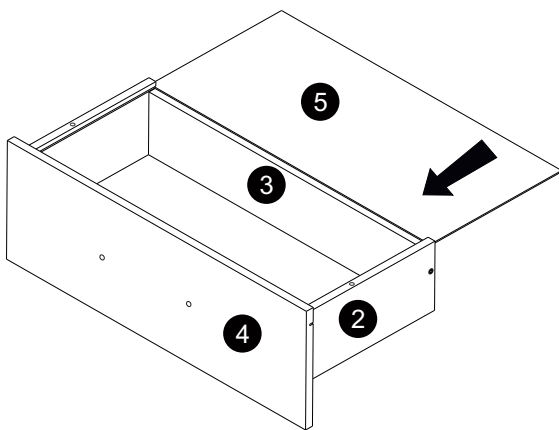
	ZM1	2		KK1	1		KSK1	1
--	-----	---	--	-----	---	--	------	---



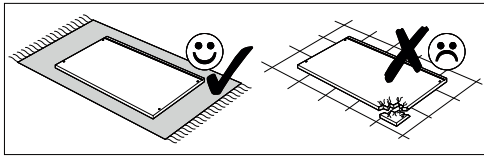
06



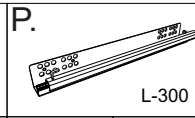
	3x16	W1	4		S1	1
--	------	----	---	--	----	---



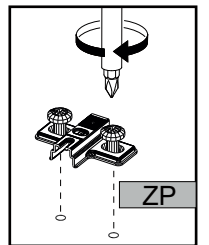
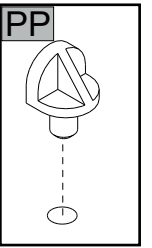
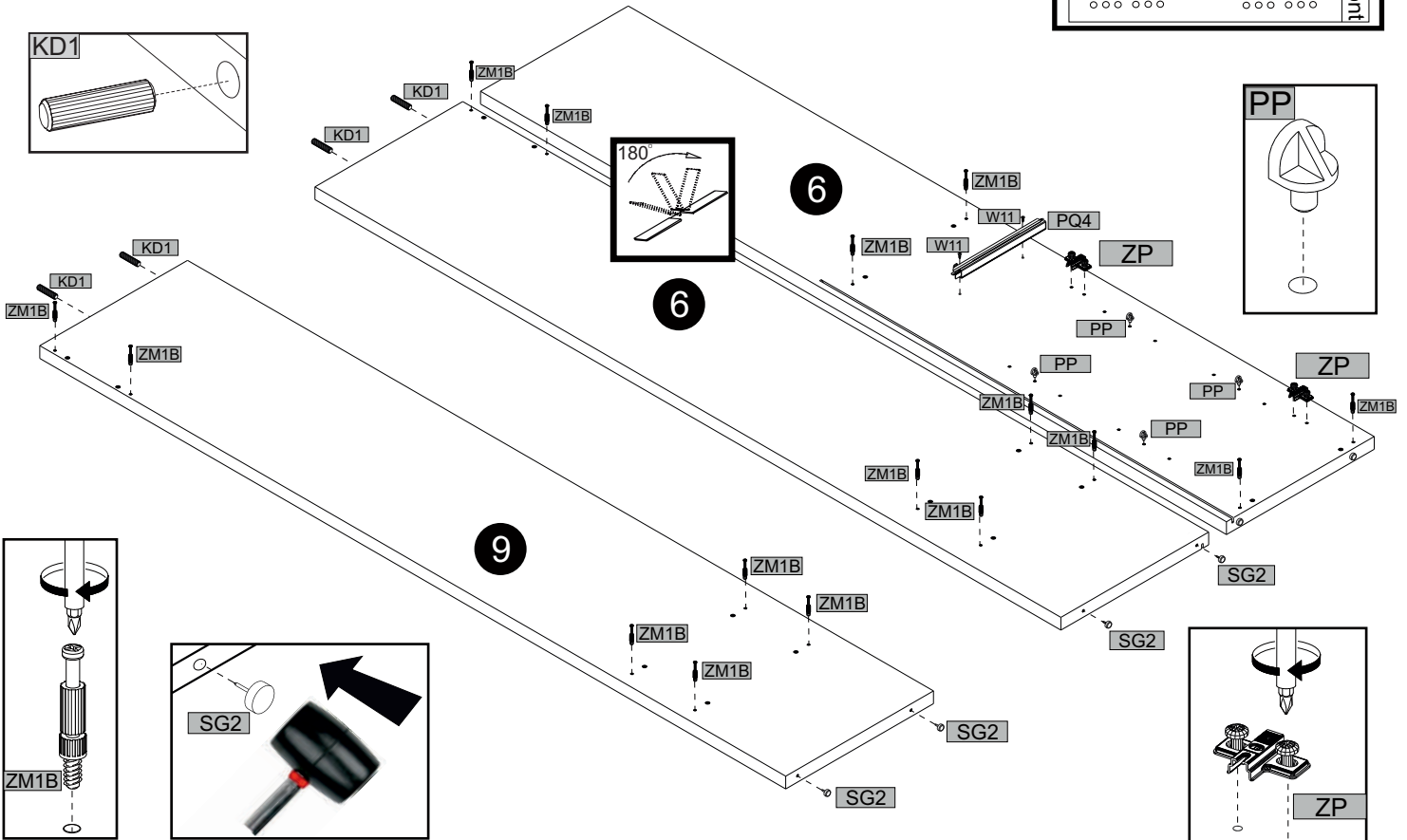
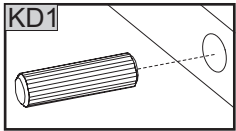
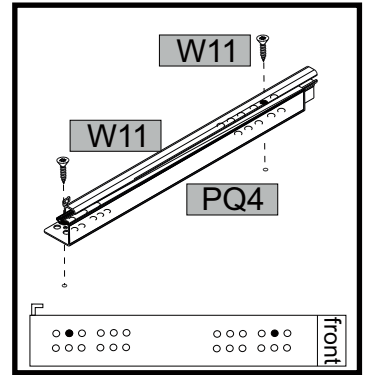
07



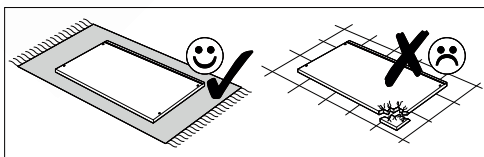
ZM1B	16	PQ4	1
------	----	-----	---



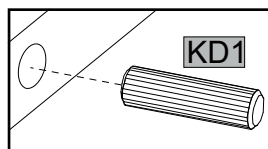
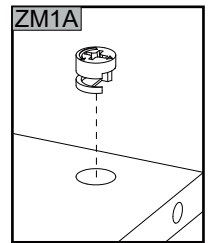
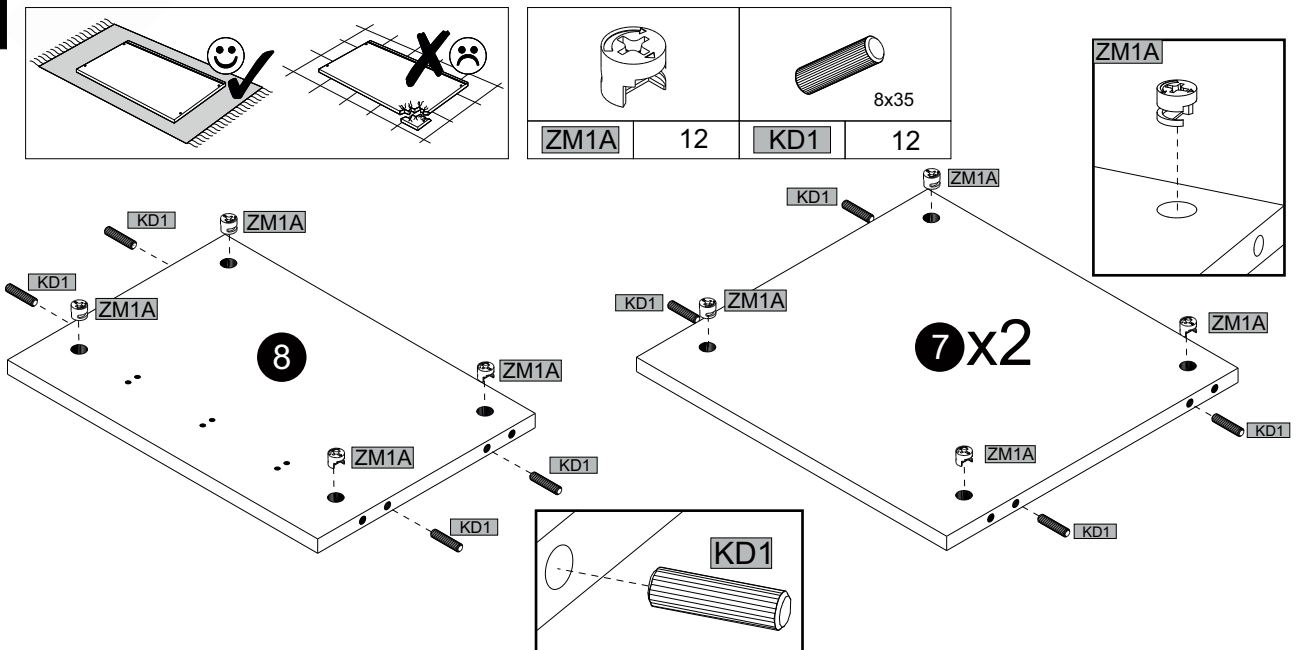
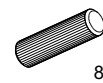
KD1	4	ZP	2	PP	4	SG2	4	W11	2
-----	---	----	---	----	---	-----	---	-----	---



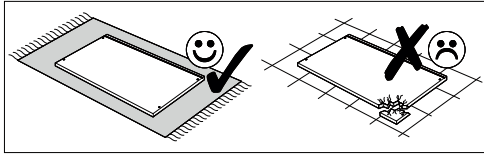
08



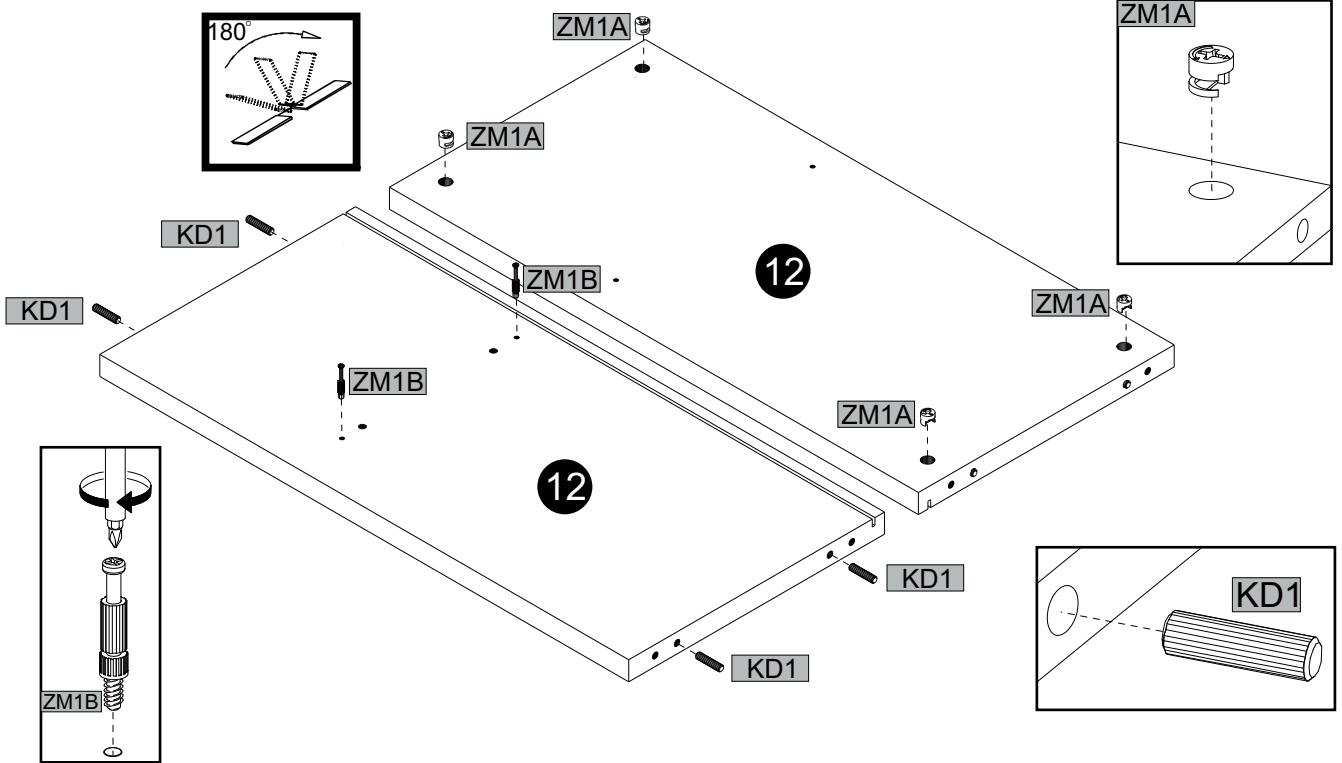
ZM1A	12	KD1	12
------	----	-----	----



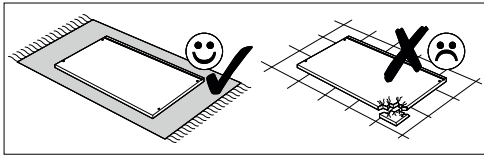
09



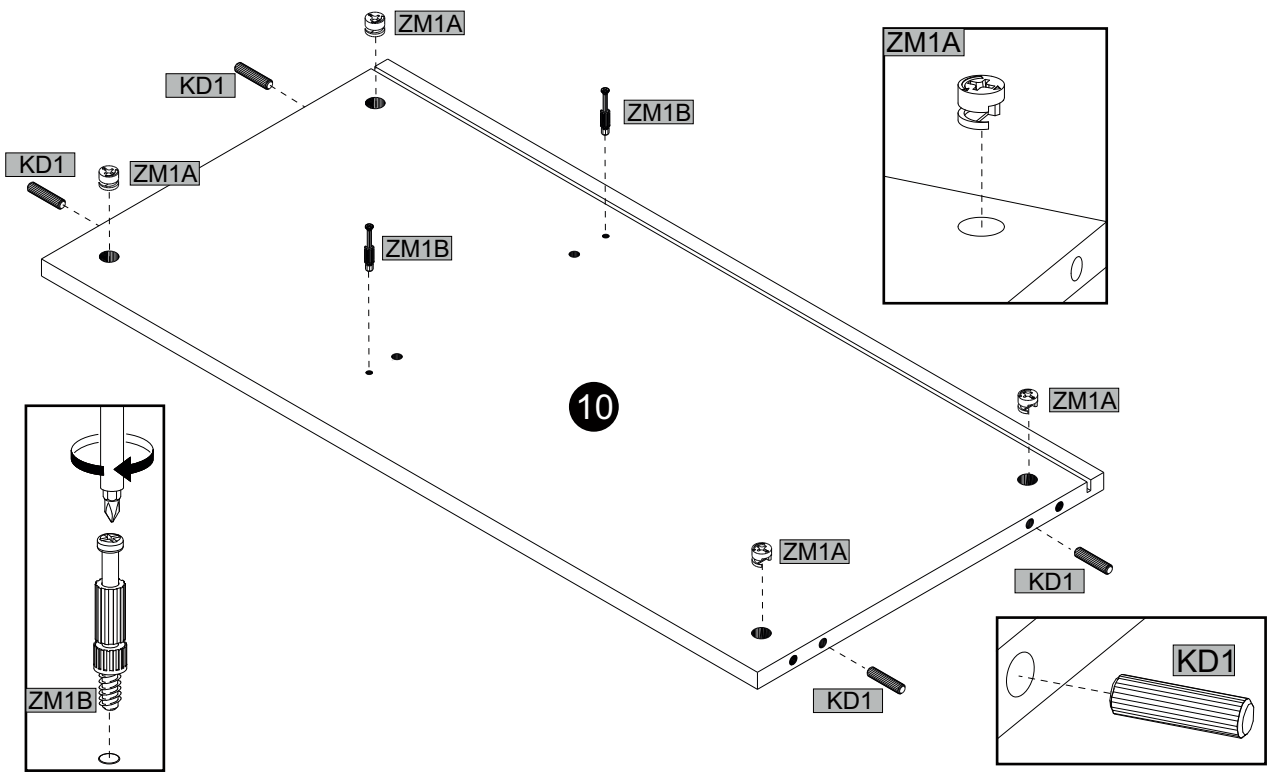
ZM1B	ZM1A	KD1
2	4	4



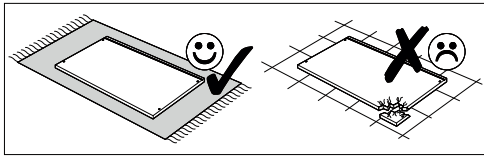
10



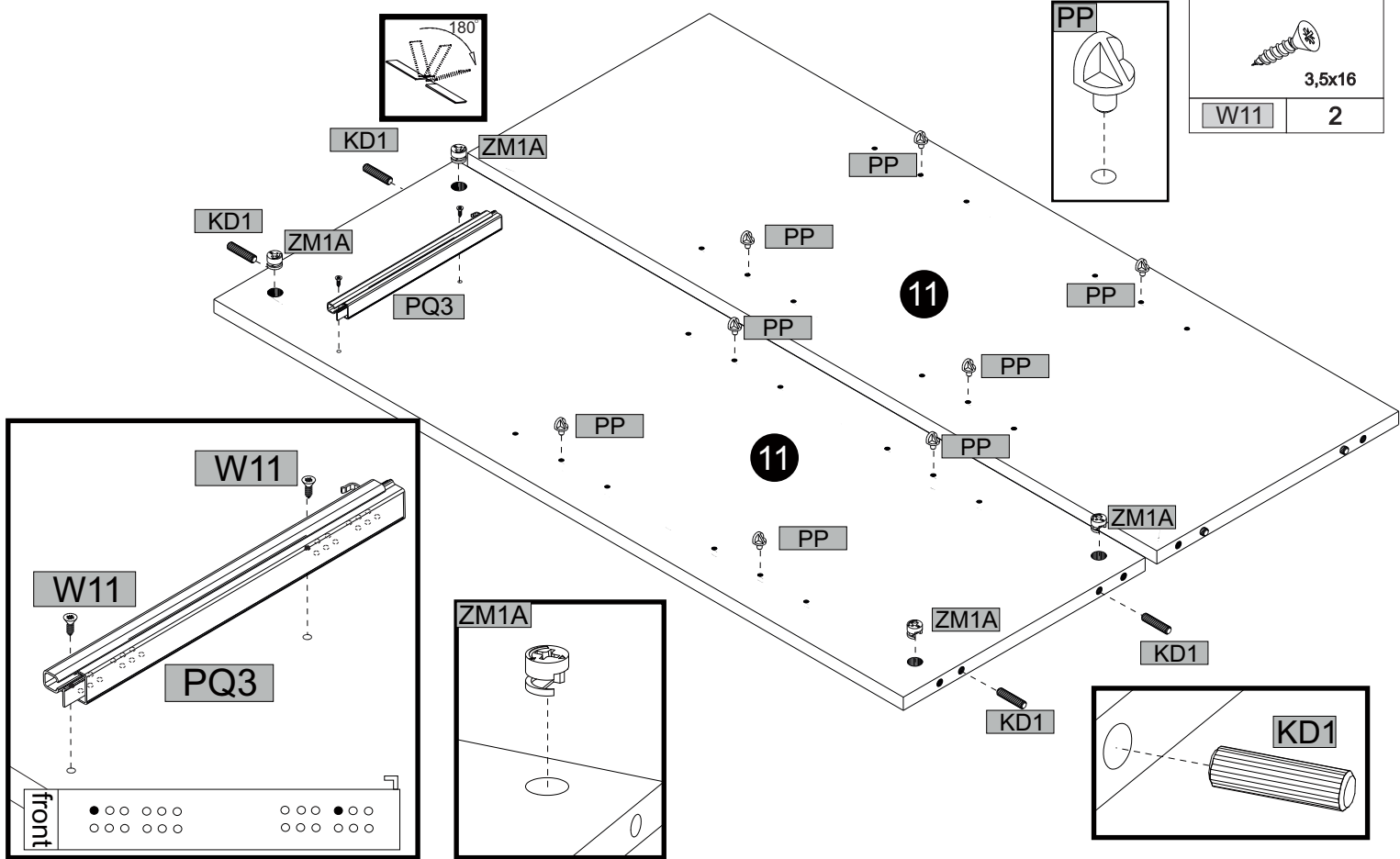
ZM1B	ZM1A	KD1
2	4	4



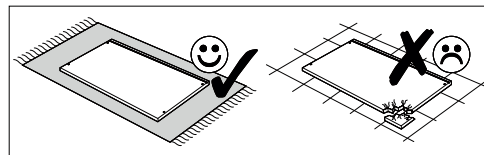
11



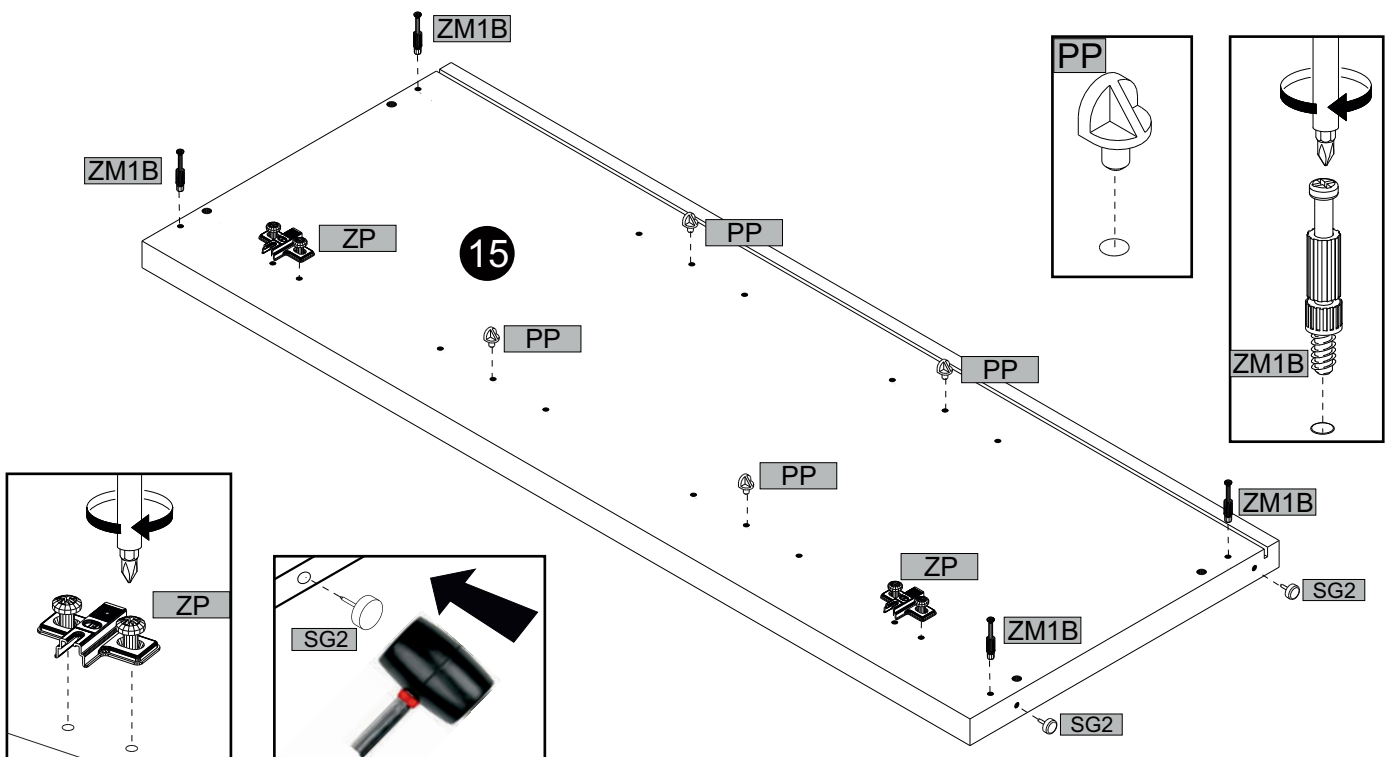
	8		4		4		1
							2



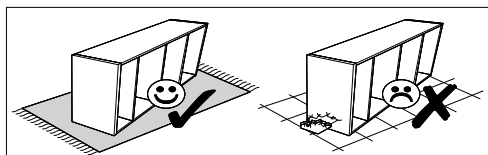
12



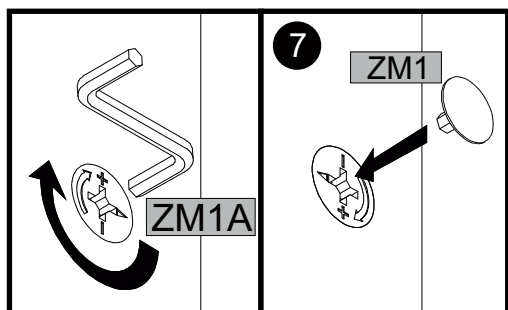
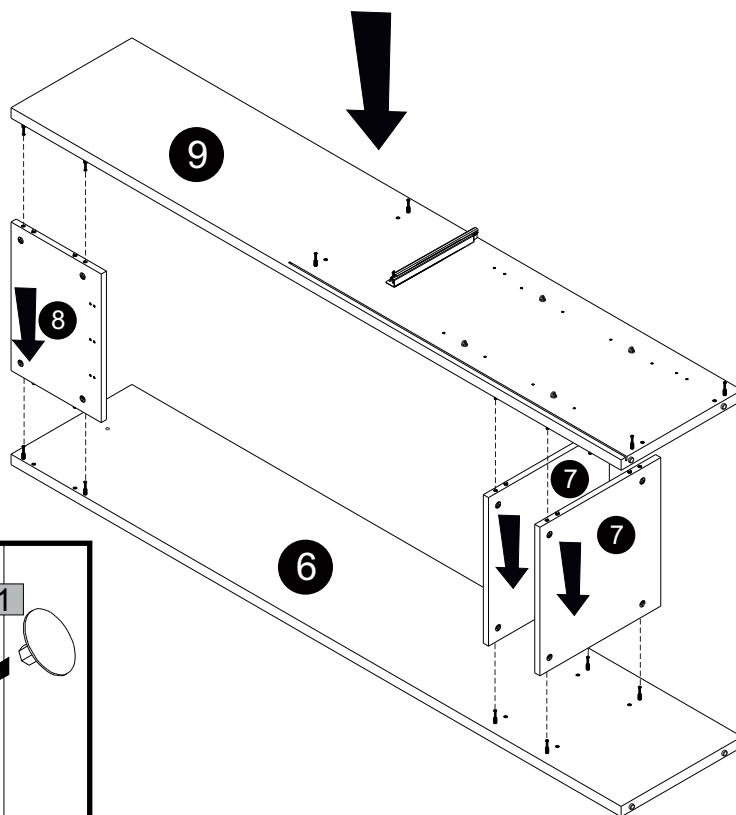
	4		2		4		2
--	---	--	---	--	---	--	---



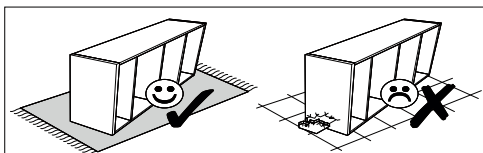
13



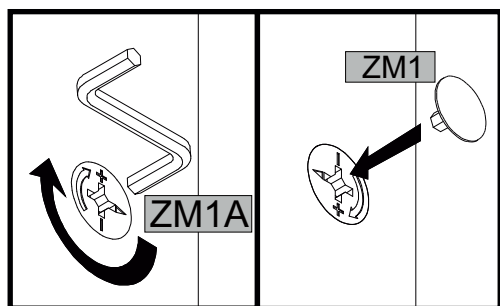
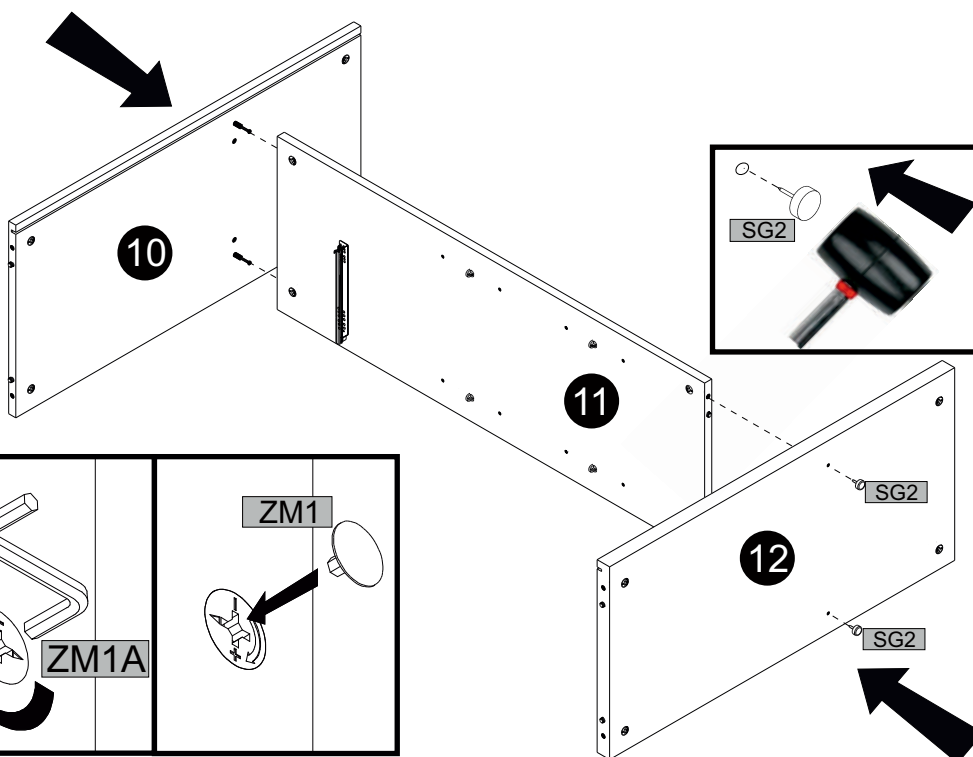
	1		8
KK1	1	ZM1	8



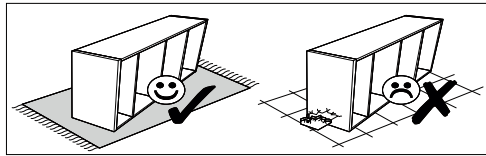
14



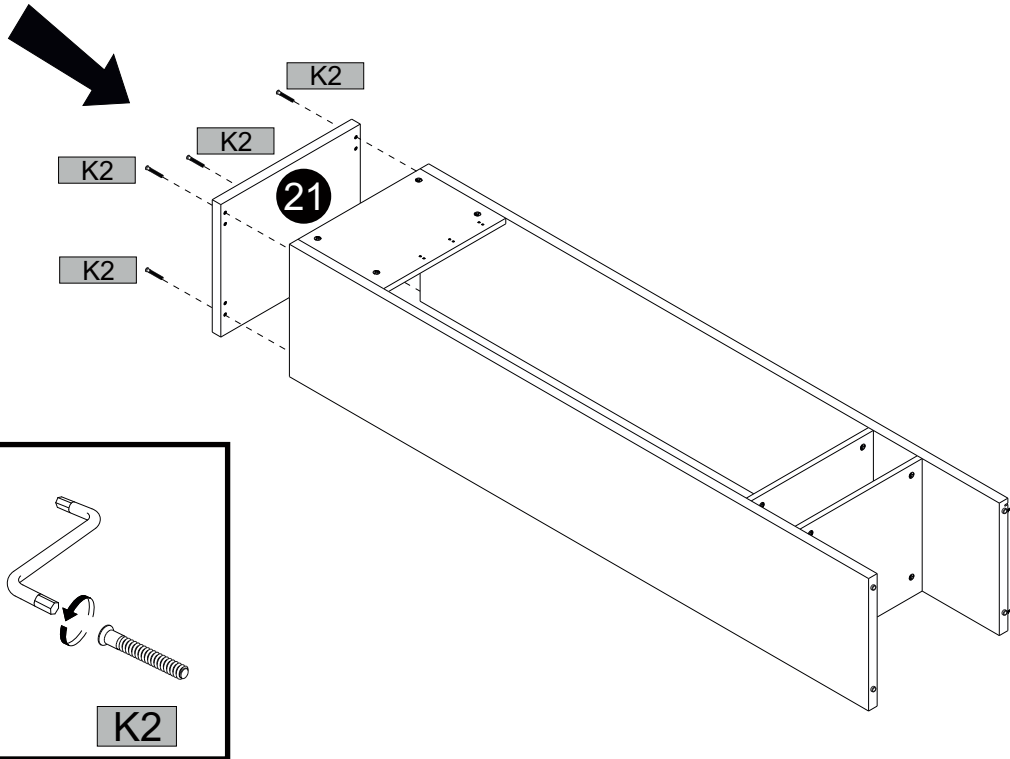
	1		4		2
KK1	1	ZM1	4	SG2	2



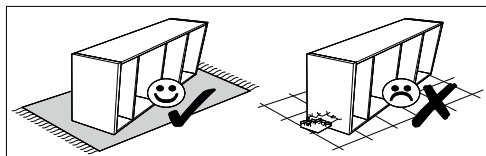
15



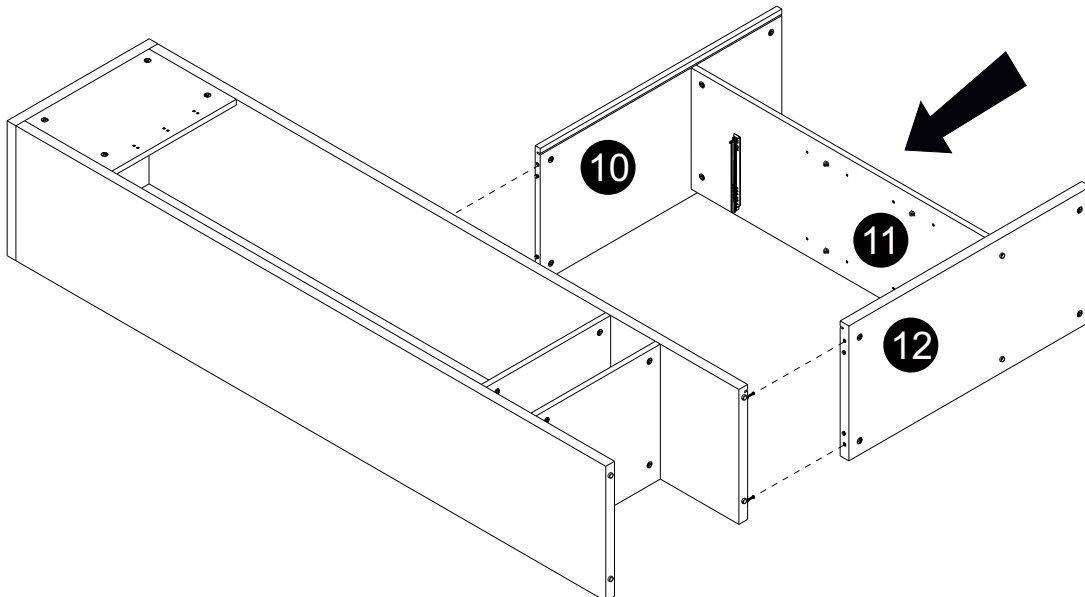
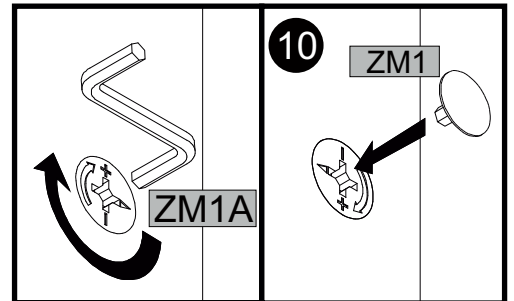
	1		4
KK1		K2	



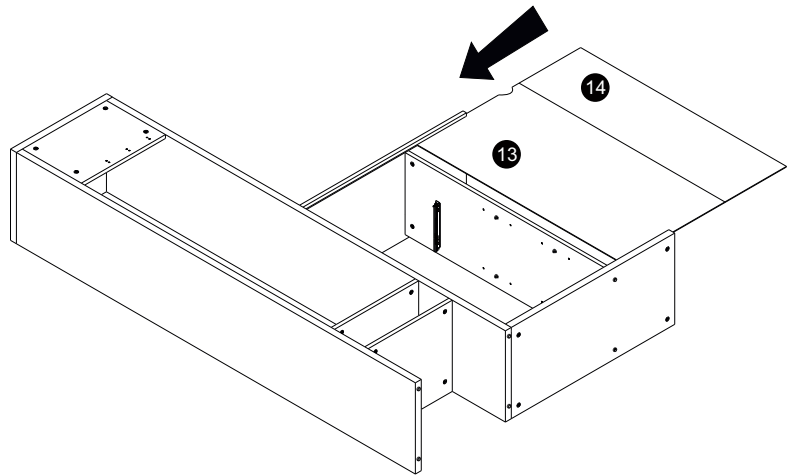
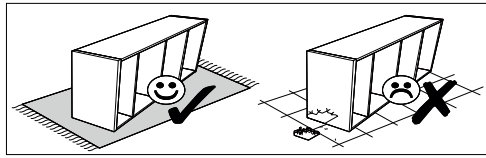
16



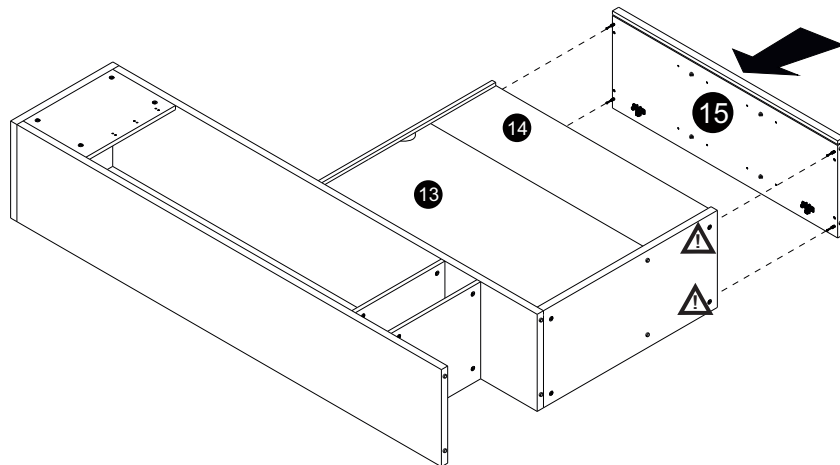
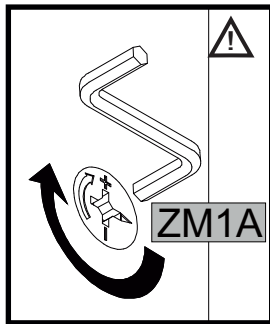
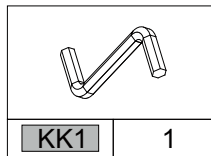
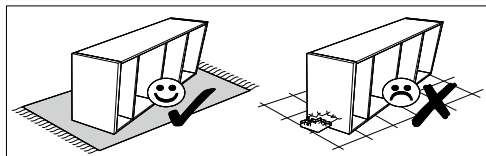
	1
	2
KK1	
ZM1	



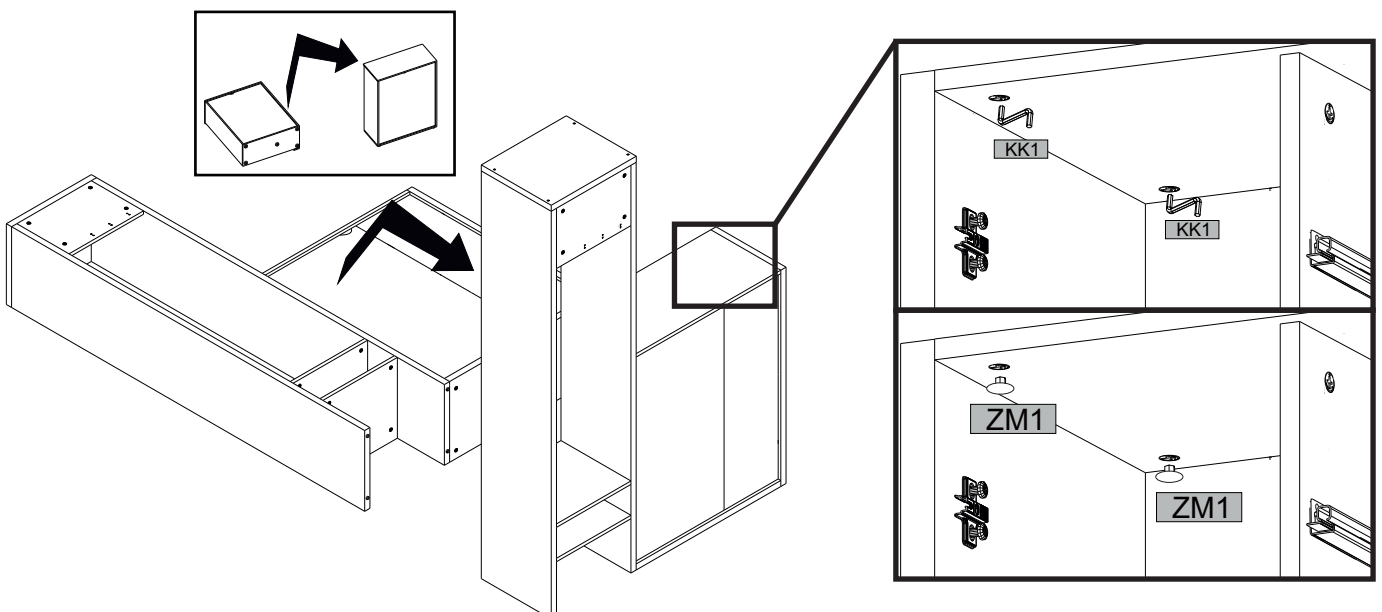
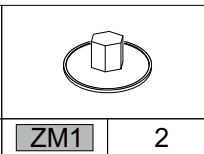
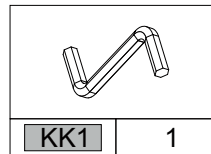
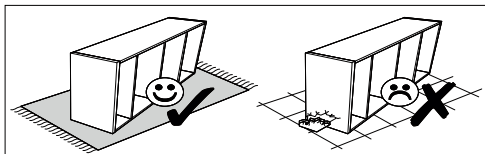
17



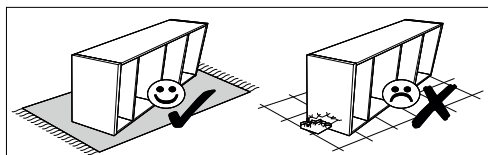
18



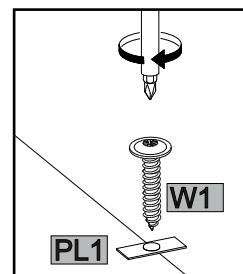
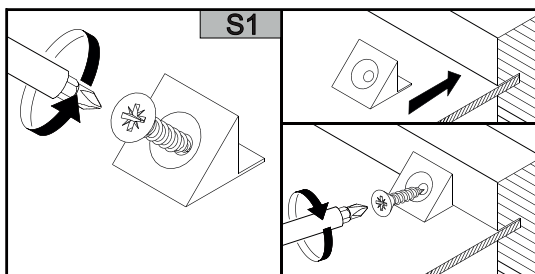
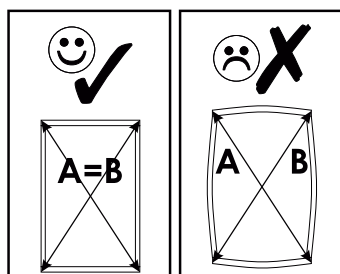
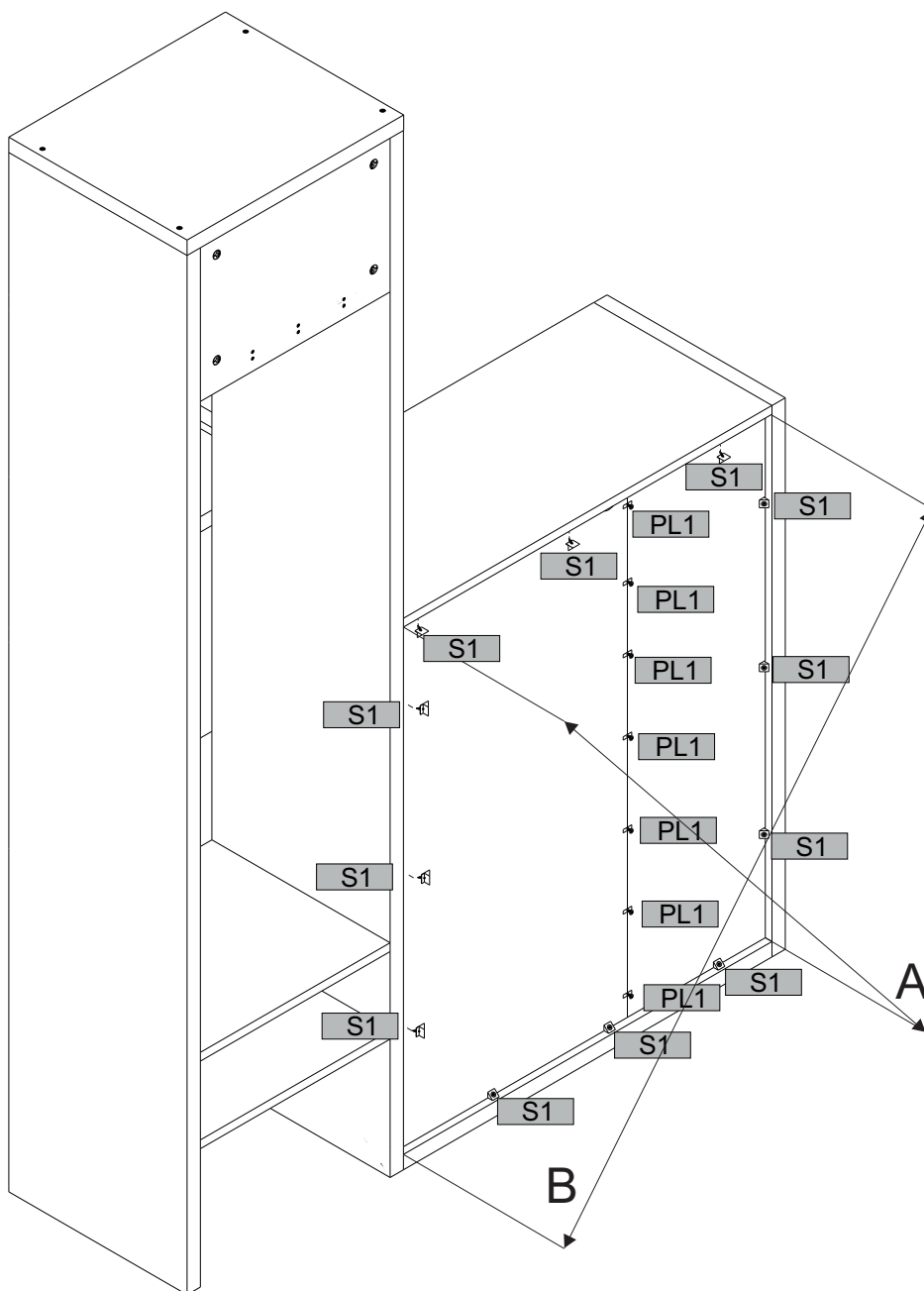
19



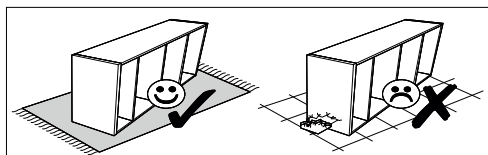
20



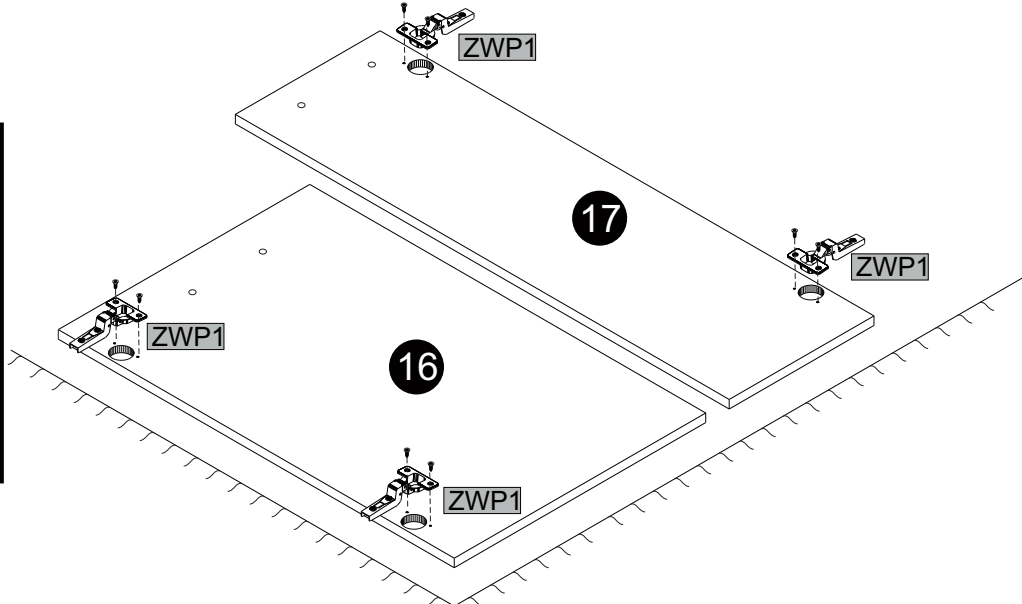
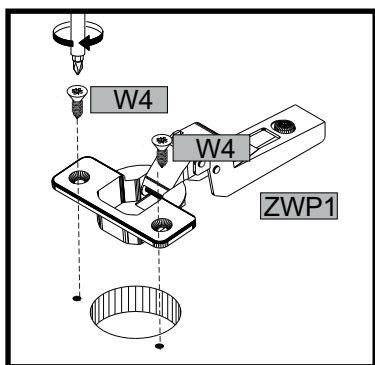
S1	12	PL1	7	W1	7



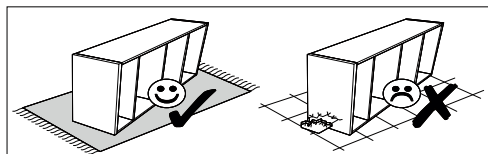
21



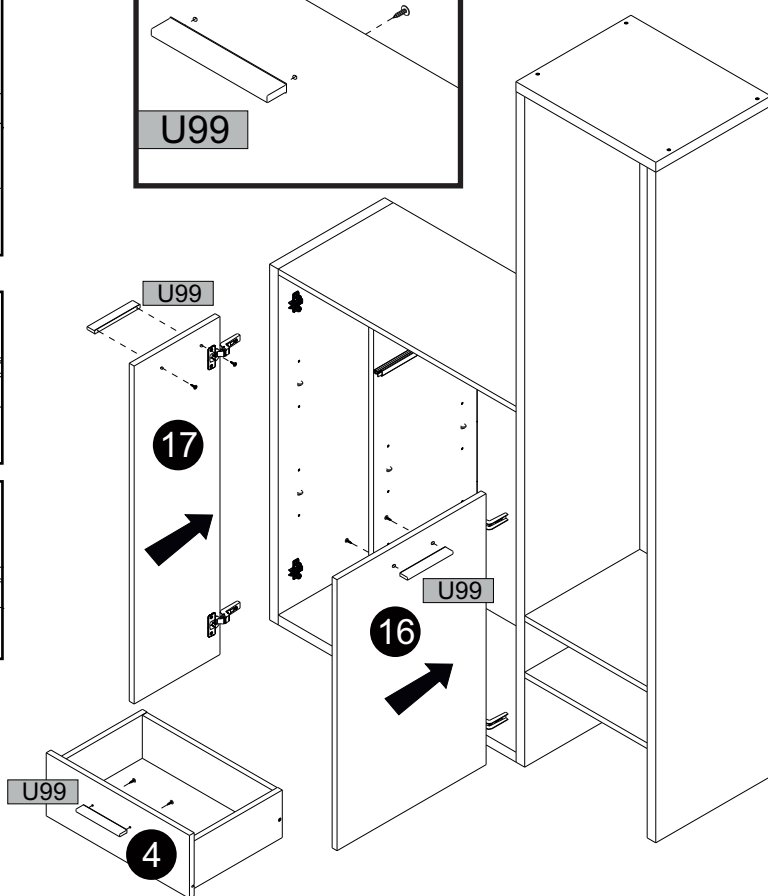
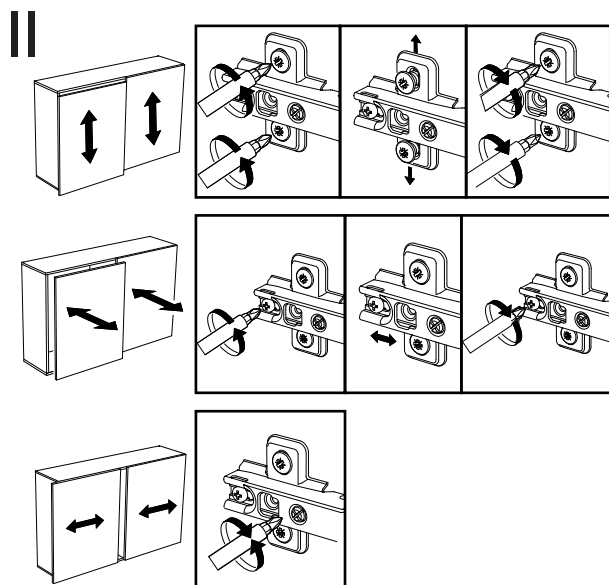
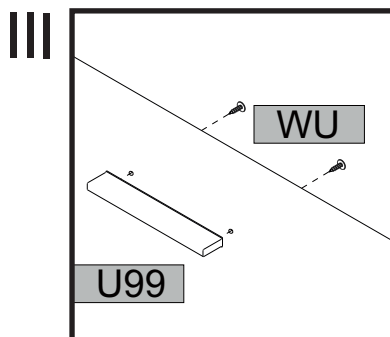
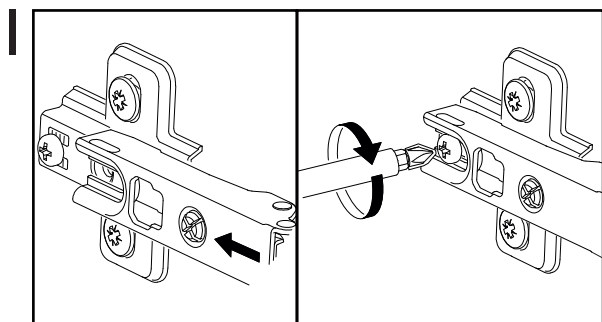
ZWP1	4	W4	8
------	---	----	---



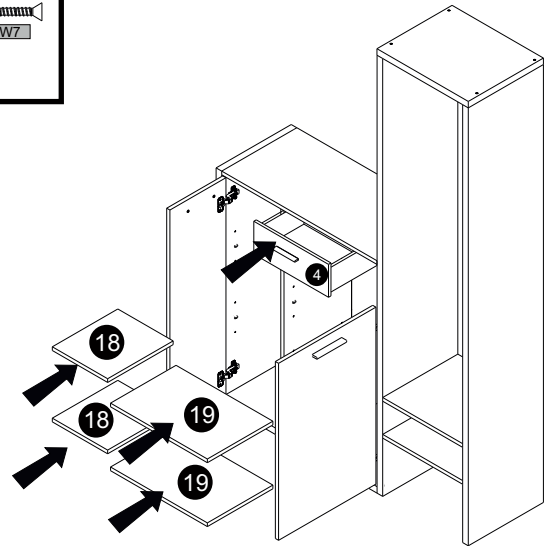
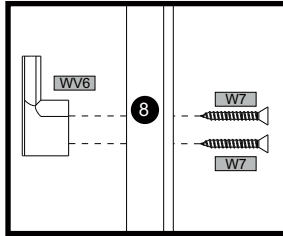
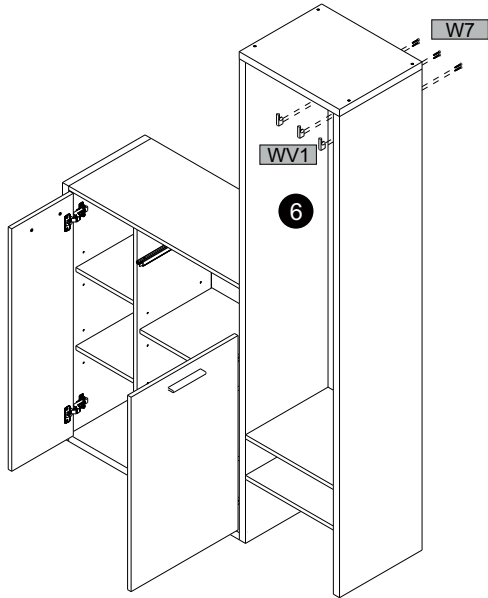
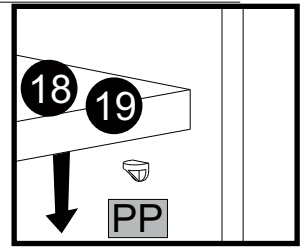
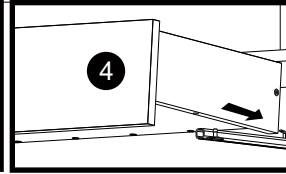
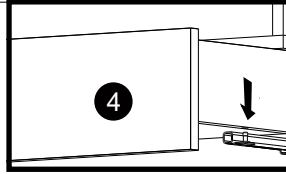
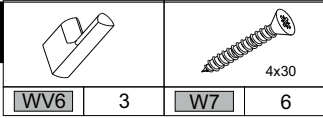
22



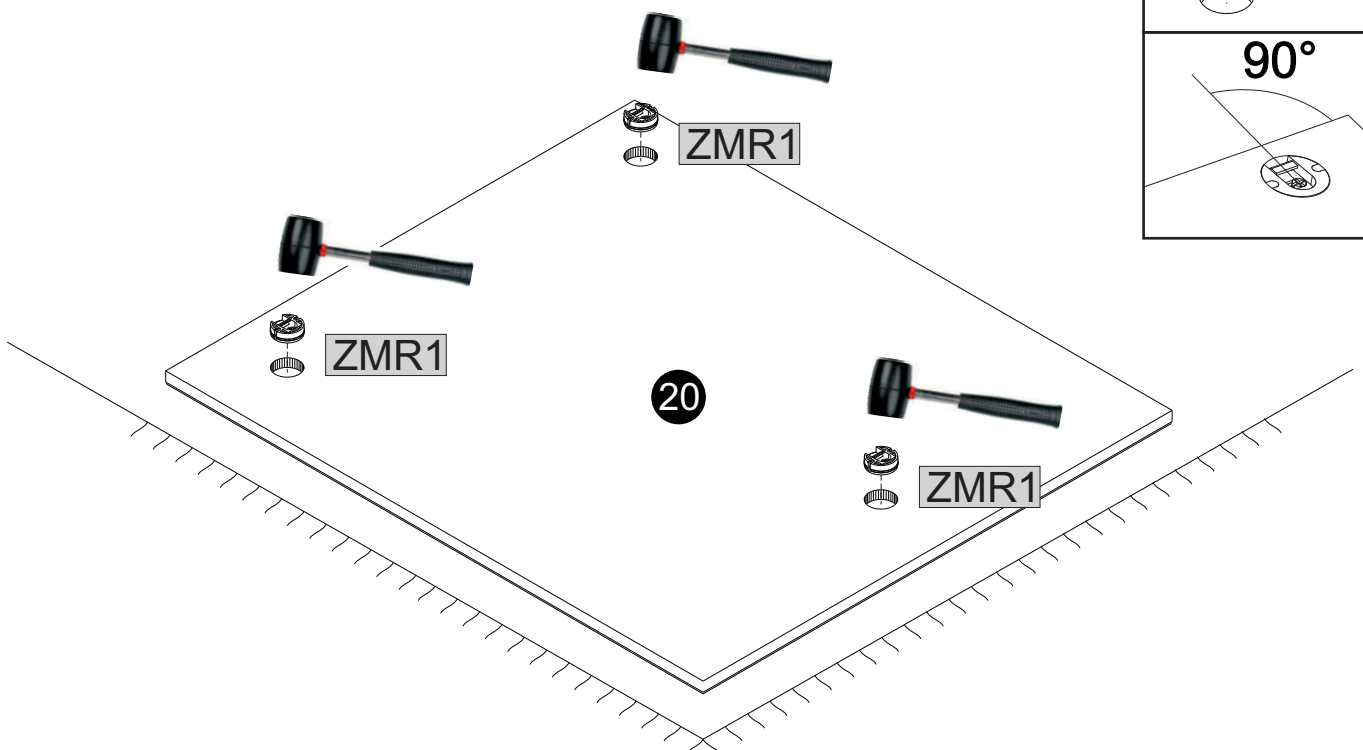
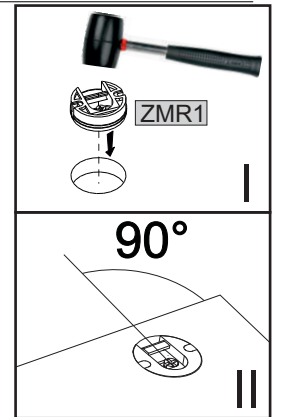
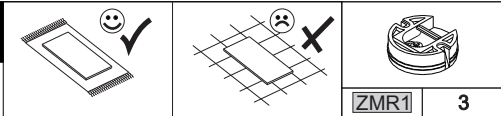
U99	3	WU	6
-----	---	----	---



23

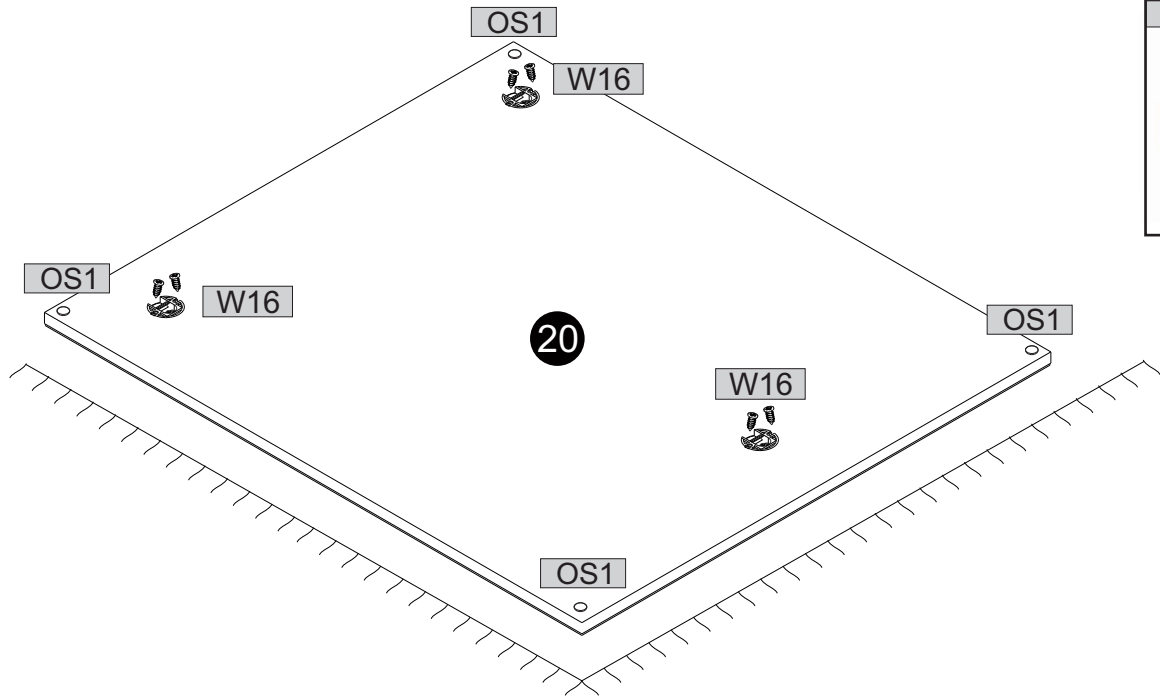
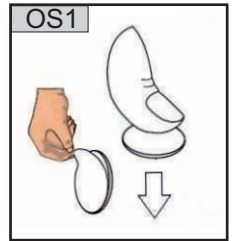
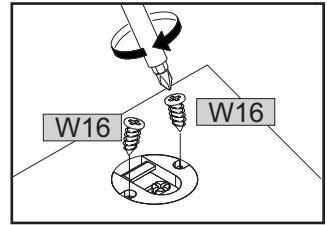


24



25

			5x11	
			6	OS1 4

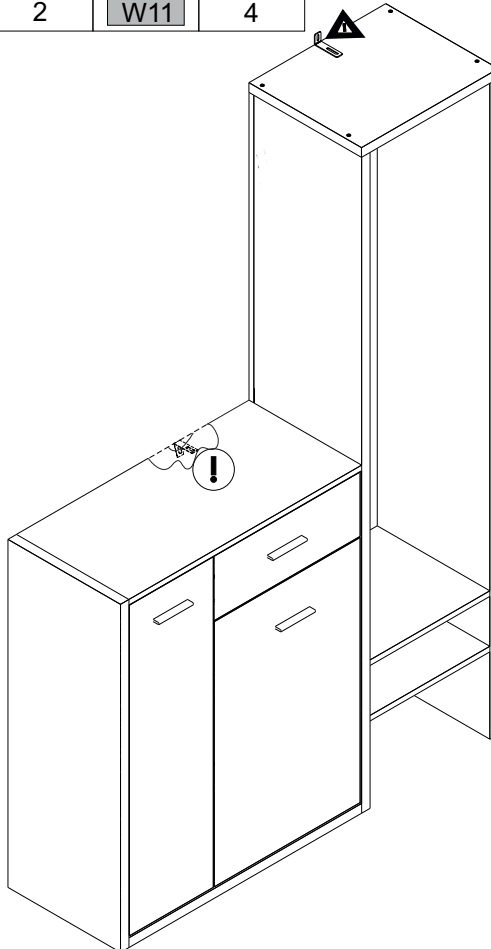


26

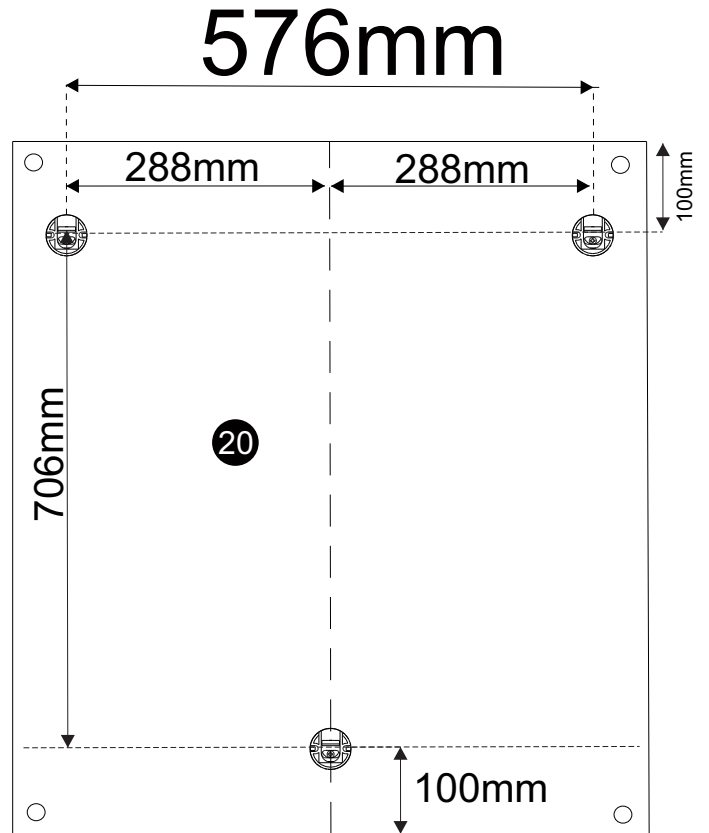
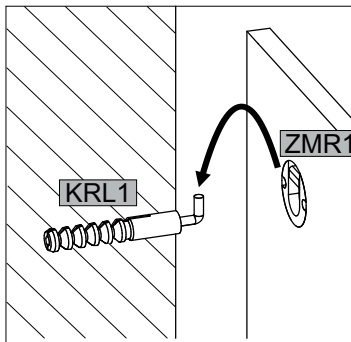
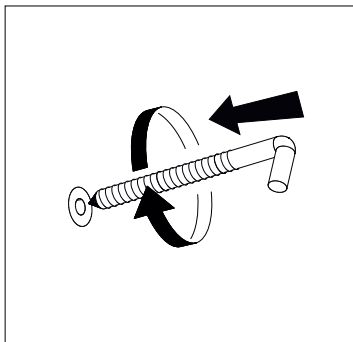
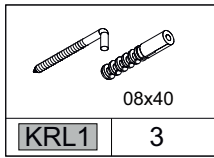
KS1 2	KRW1 2	W11 4
	08x40	3,5x16

!

-
-
-
-
-
-
-
-



27



28

