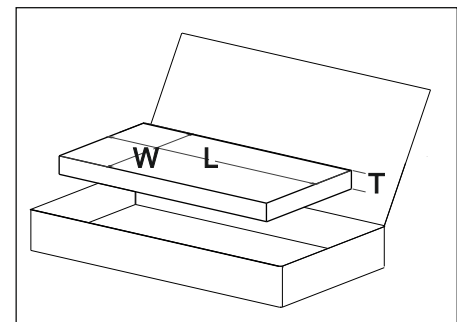
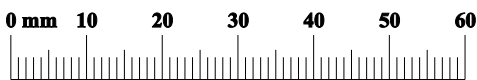
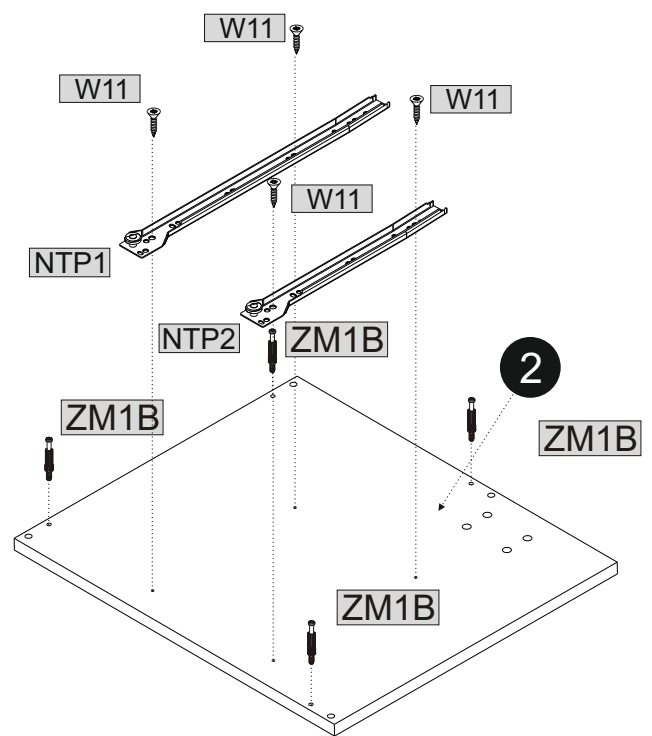
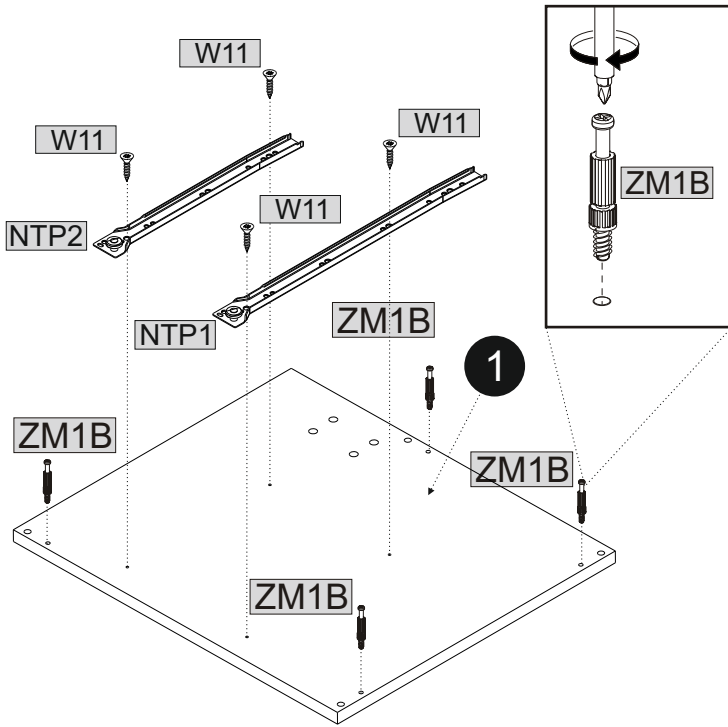
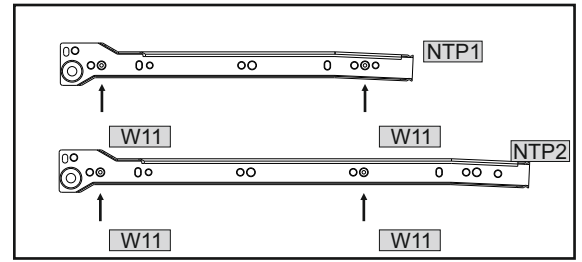
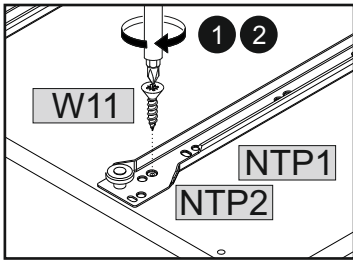
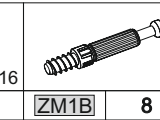
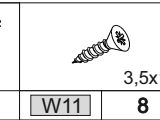
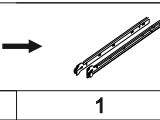
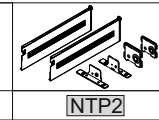
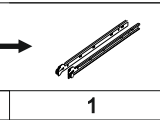
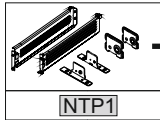
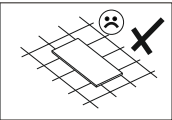
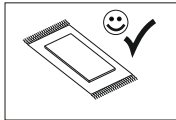


1/1			
	L	W	T
1	510x440x16		x1
2	510x440x16		x1
3	568x60x16		x1
4	568x60x16		x1
5	568x60x16		x1
6	568x60x16		x1
7	537x298x16		x1
8	537x398x16		x1
9	596x250x16		x1
10	596x250x16		x1
11	168x69x16		x1
12	168x69x16		x1
13	536x134x16		x1

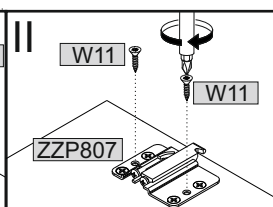
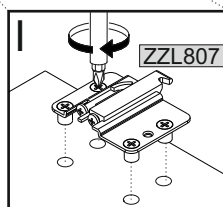
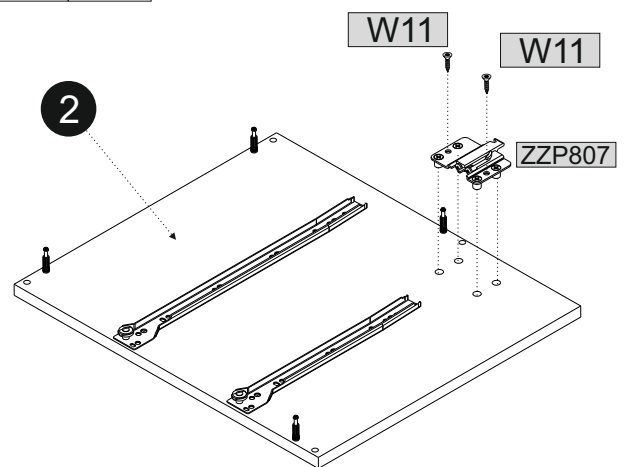
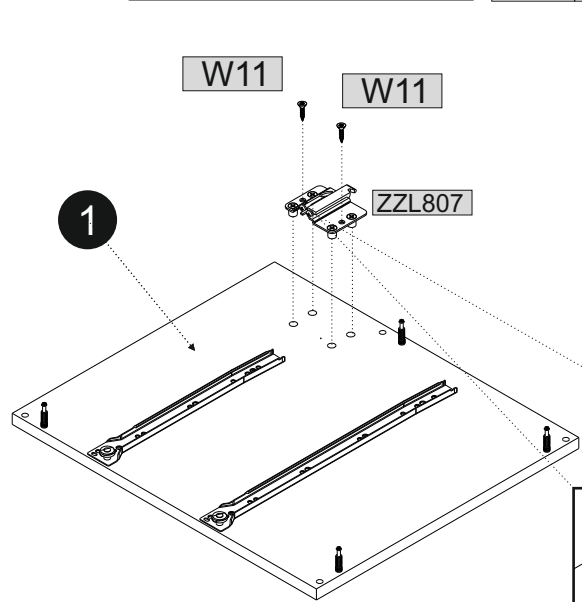
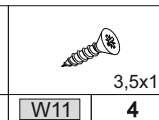
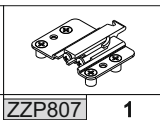
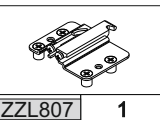
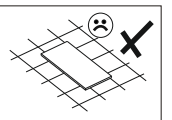
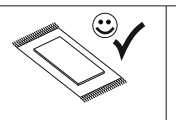


KK1 1	MZ1 1	P807 2	NTP1 1	NTP2 1	ZM1 8
ZZL807 1	ZZP807 1	U83 2	KD1 18	KRW1 8	K1 2
ZM1B 8	ZM1A 8	W11 48	W1 4	ZAP807 1	ZAL807 1

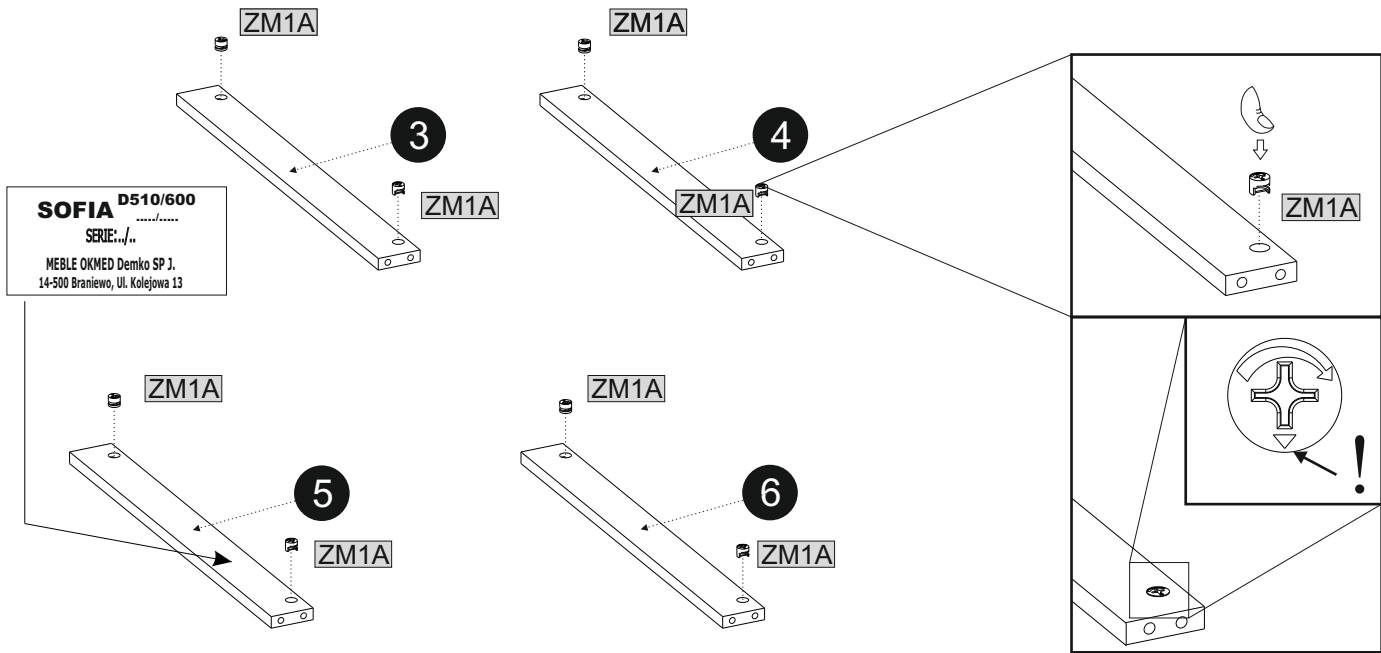
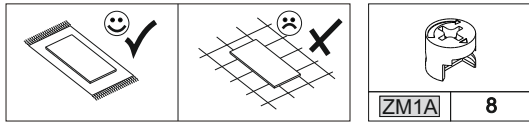
## 01



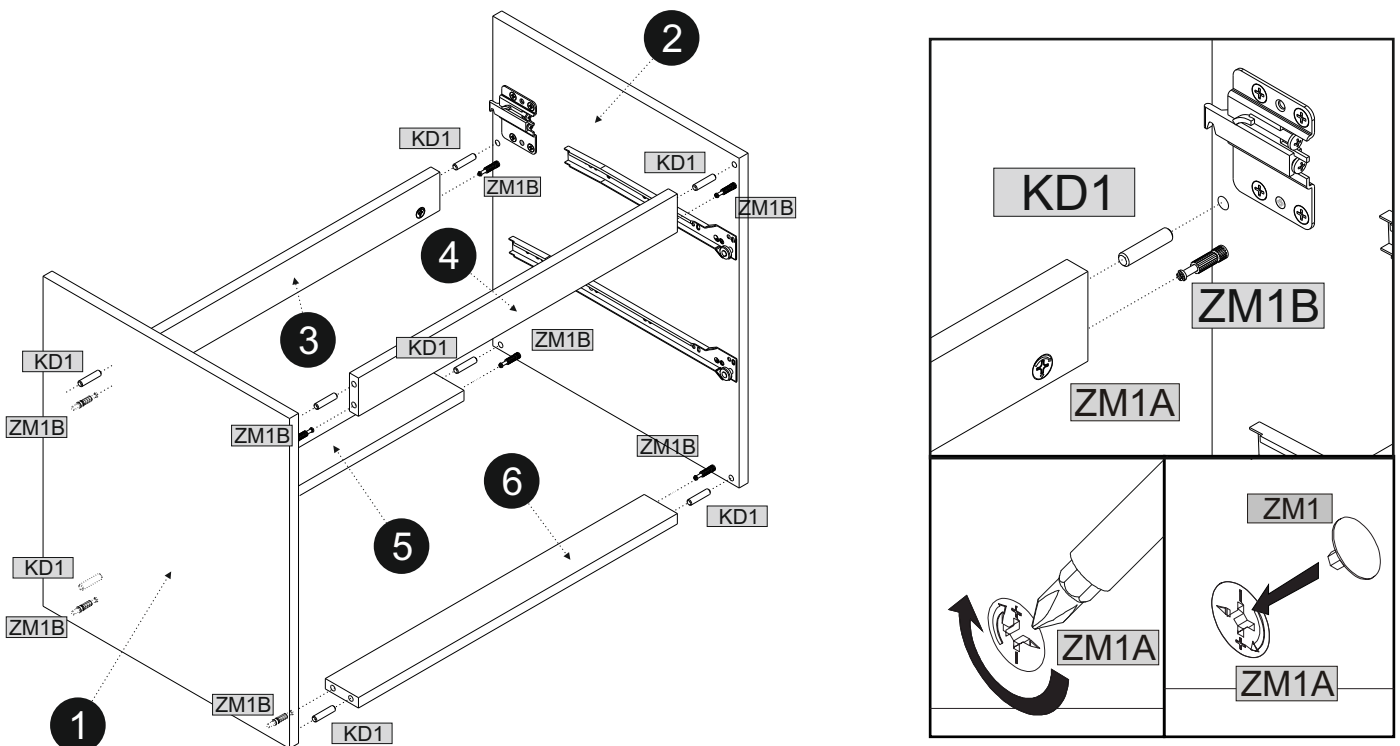
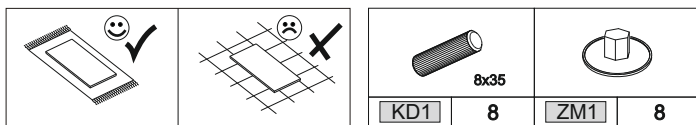
## 02





03



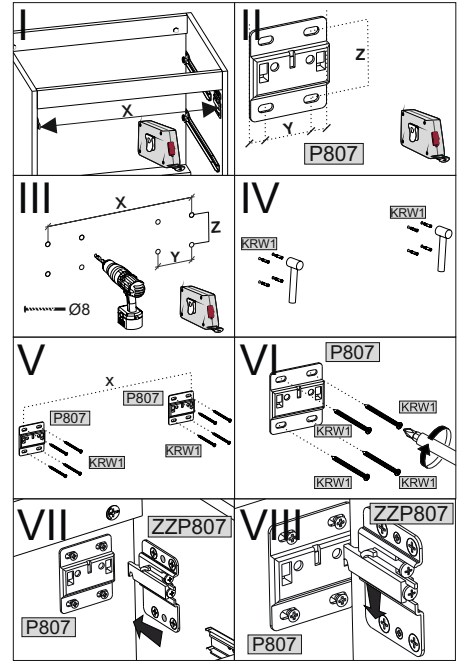
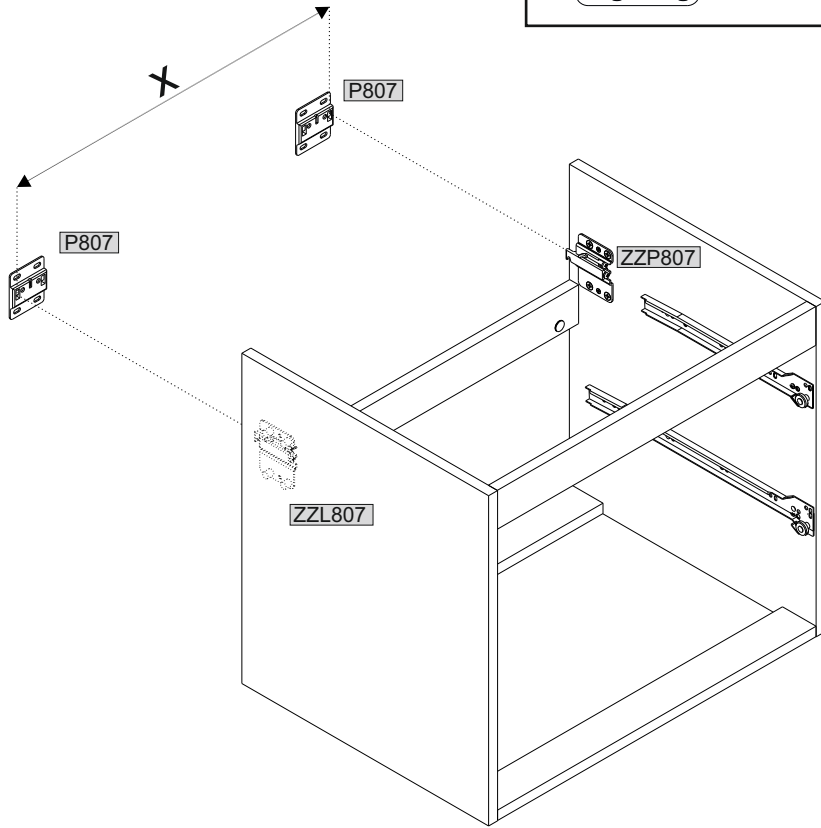
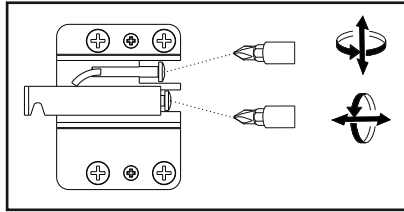
04



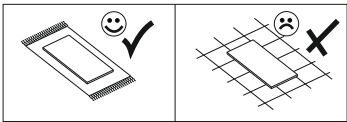
05


			
P807	2	KRW1	8

08x40

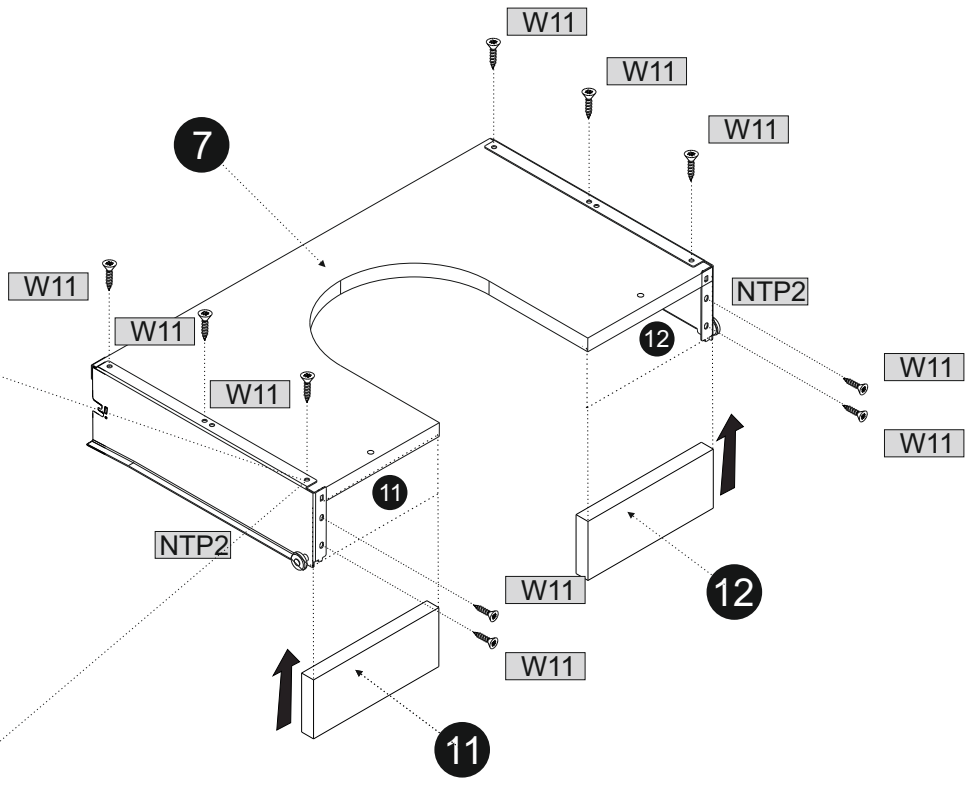
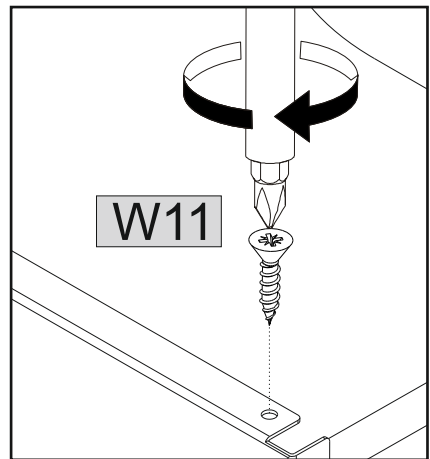
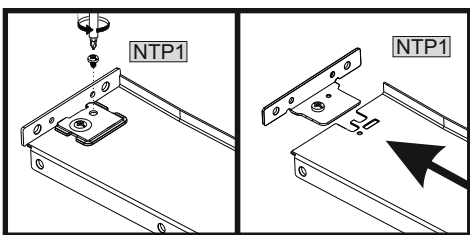


06

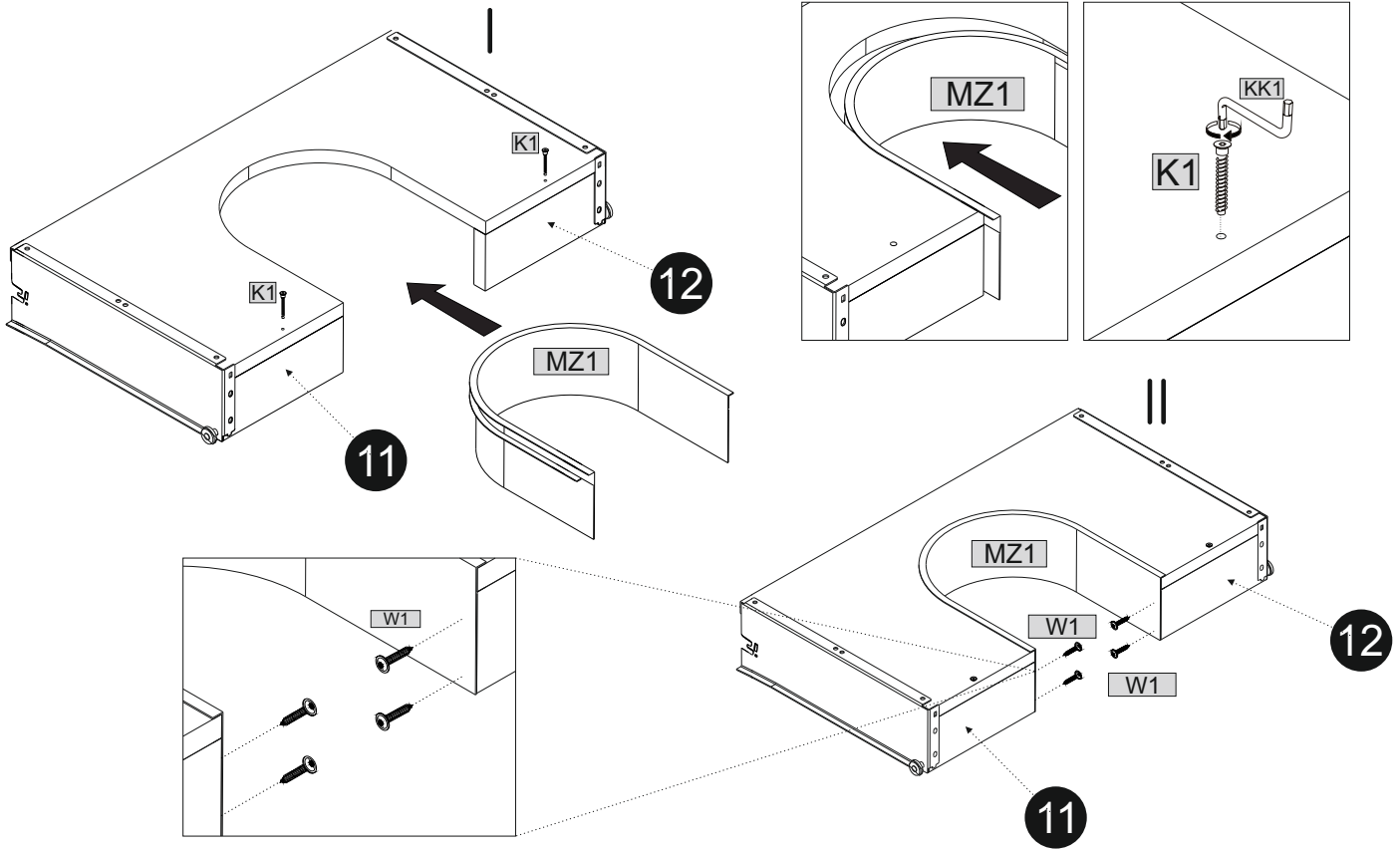
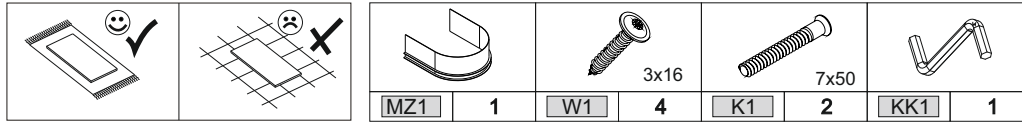


	
W11	10

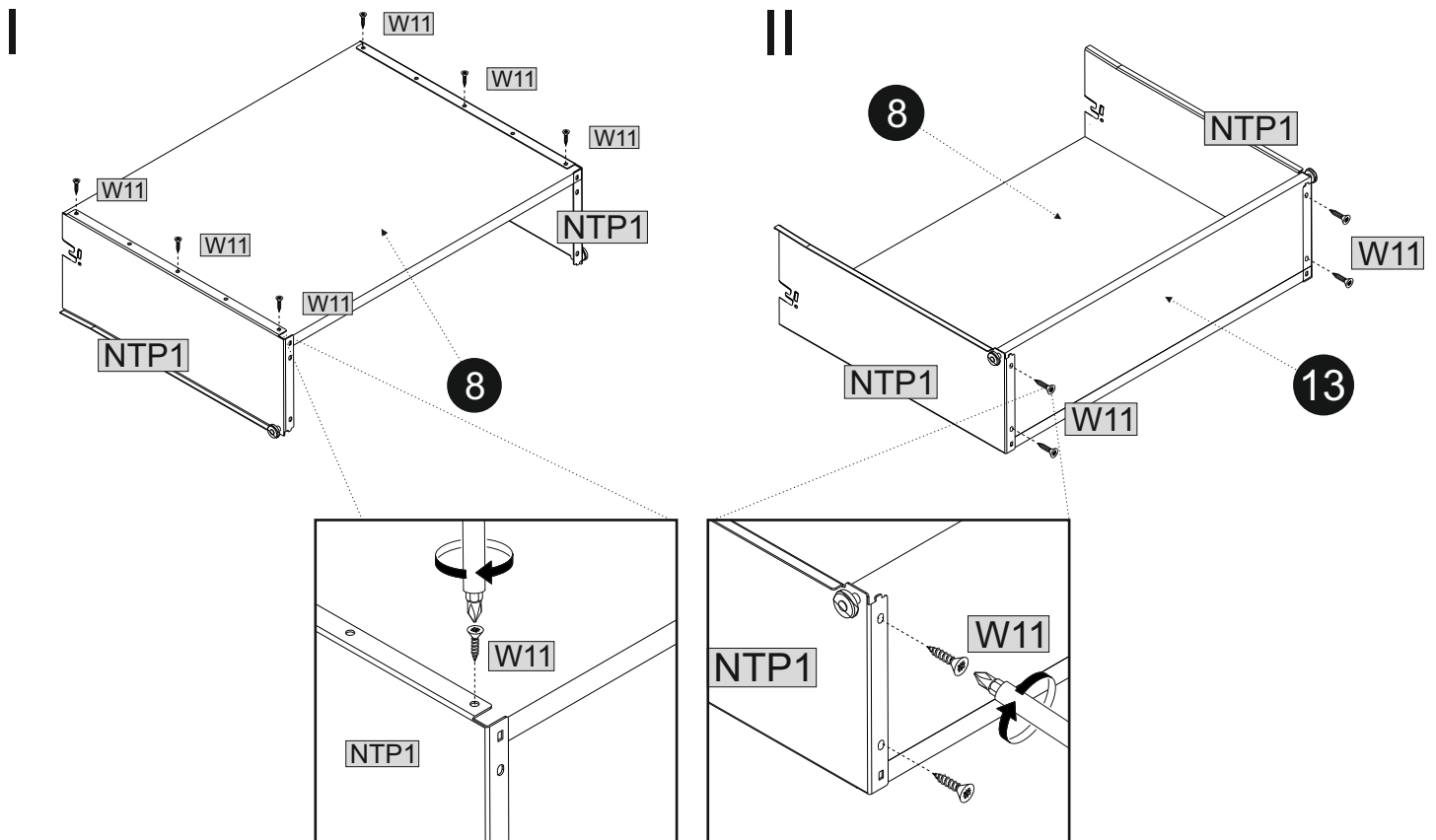
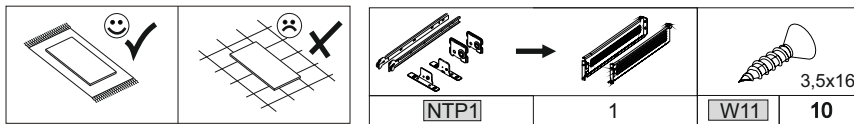
3,5x16



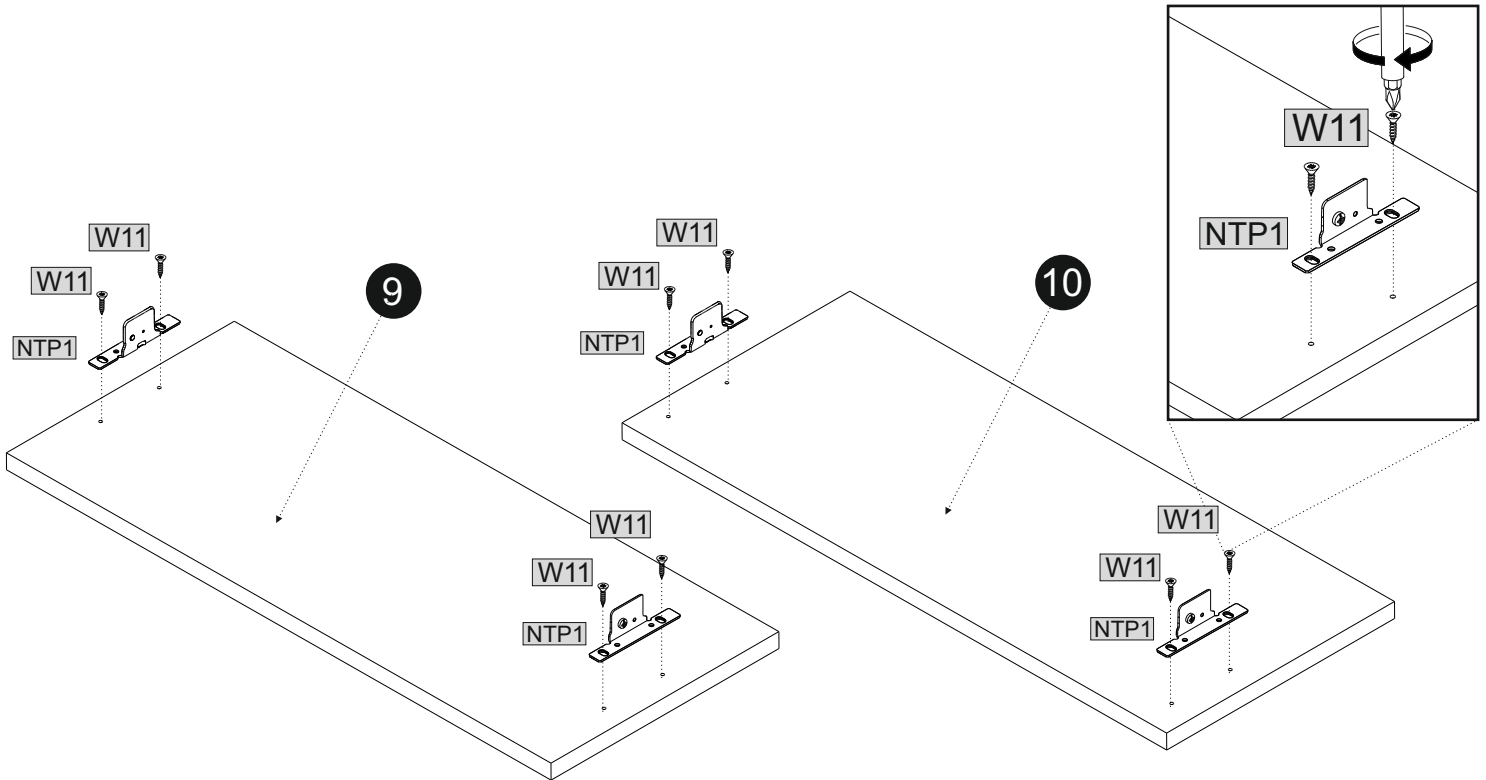
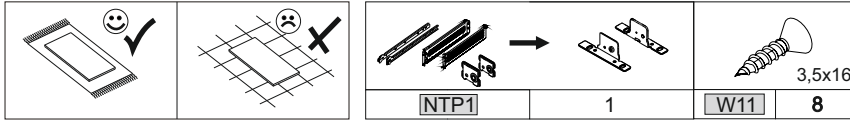
07



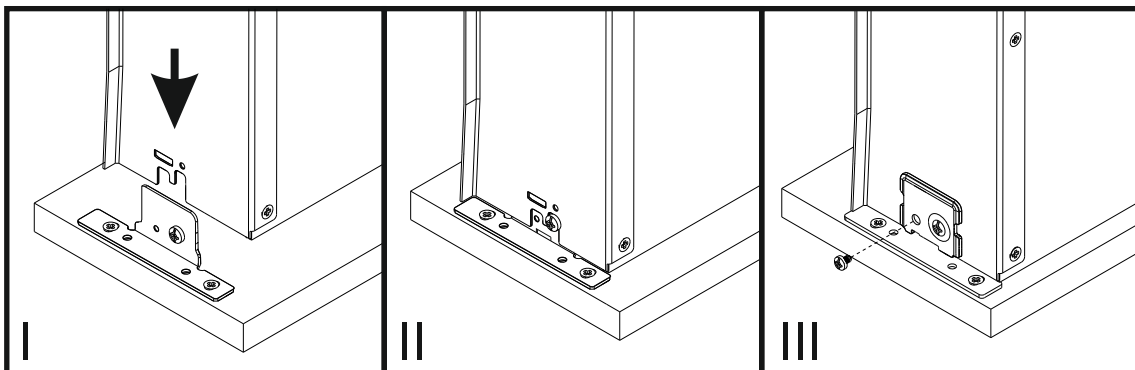
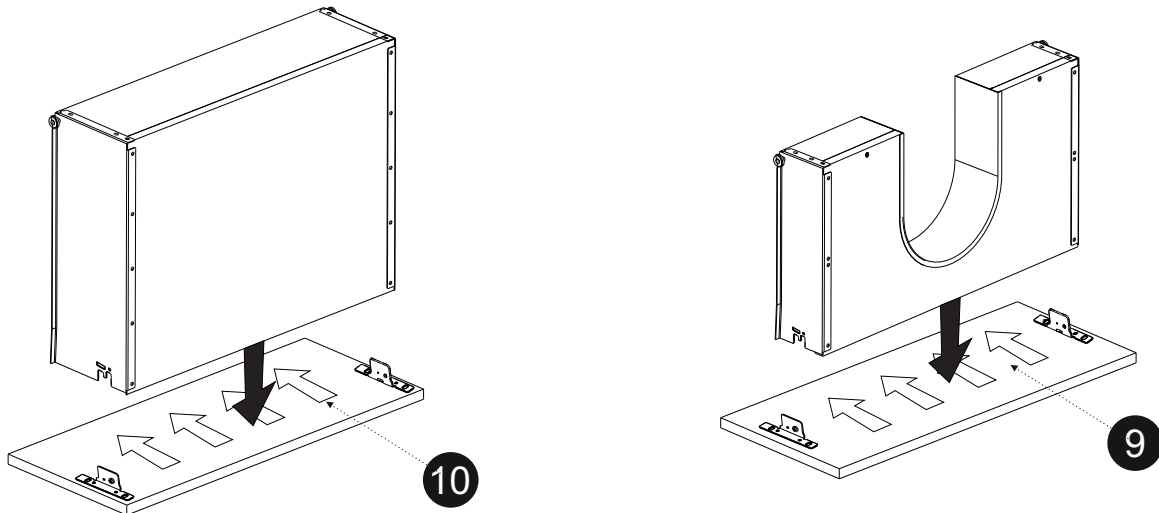
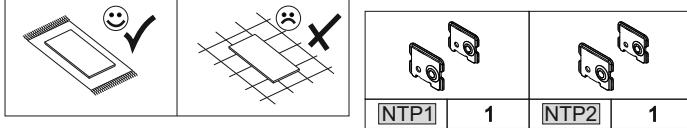
08






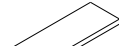
09



10



11

			
ZAL807	ZAP807	W11	U83
1	1	4	2

3,5x16

